

Model: MBE-24



Application

MBE-24 Battery Equalizer is used for the 12V lead-acid batteries which are connected in series to keep battery voltage balance. (Gel/-Flood/AGM lead acid batteries all are ok.)

When two or more in-series connected batteries are in charging/discharging/free status. The battery voltages maybe become different. One battery voltage is high and one is low. The battery equalizer will equalize/balance the battery voltage when it detect there are 20mV between two batteries. It will shunt current from one battery (the higher voltage one) to the

other battery (the lower voltage one). Until their battery voltage almost becomes same. This will improve battery's performance and extent battery's life time.

Battery equalizer can be used for 24V, 36V, 48V and any other N*12V battery system.

1 piece for 24V system;

2 pieces for 36V system;

3 pieces for 48V system;

.....

Technical Data

Battery nominal voltage	2*12V
Optimizing current	0-5A
Quiescent current	<3mA
Dimensions	70*70*27 mm
Protection	Reverse polarity protection
Low Voltage Disconnect	10V

LED Indicator

	LED A	LED B
$U(A)=U(B)$	Off	Off
$U(A)>U(B)$	Flash	Off
$U(A)<U(B)$	Off	Flash
$U(A)<10V$	On	Off
$U(B)<10V$	Off	On
$U(A/B)<10V$	On	On

Installation

Please connect the battery equalizer to battery as follows: (Please check the pictures)

1. Red cable: Battery B positive/+ pole
2. Black cable: Battery A negative/- pole
3. White cable: Battery B negative pole or Battery A positive pole. (The pole which connected Battery A and Battery B in series)

Figure 2: 24V battery bank of 4 batteries

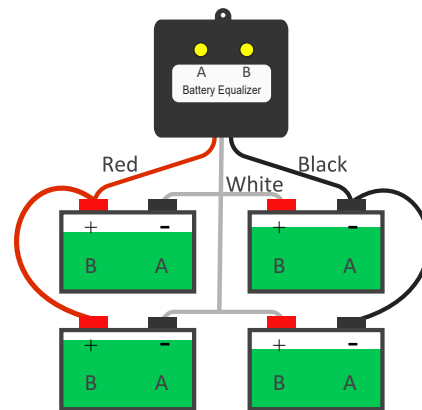


Figure 3: 36V battery bank

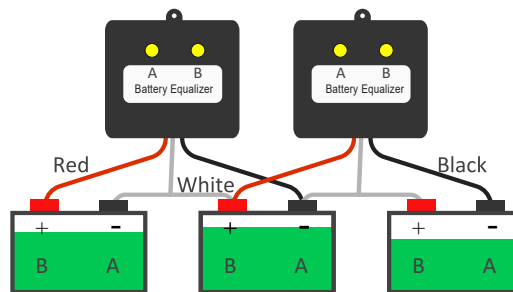


Figure 1: 24V battery bank of 2 batteries

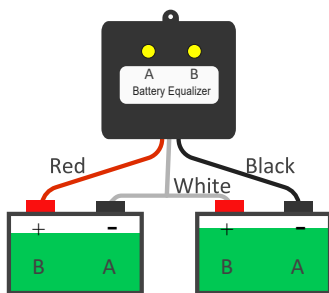


Figure 4: 48V battery bank

