

marvel[®] Tech

Hybrid Inverter

MHFI-6548-C (PV 9000)



Built-in 120A Solar Charger



Wide PV Input Voltage Range 60-500V



27A MAX PV Input



Workable with Generator

BMS

Support Lithium/Lead-acid Battery



Lithium Battery Activation



WiFi Monitoring (yes)



Colorful LCD Display (yes)

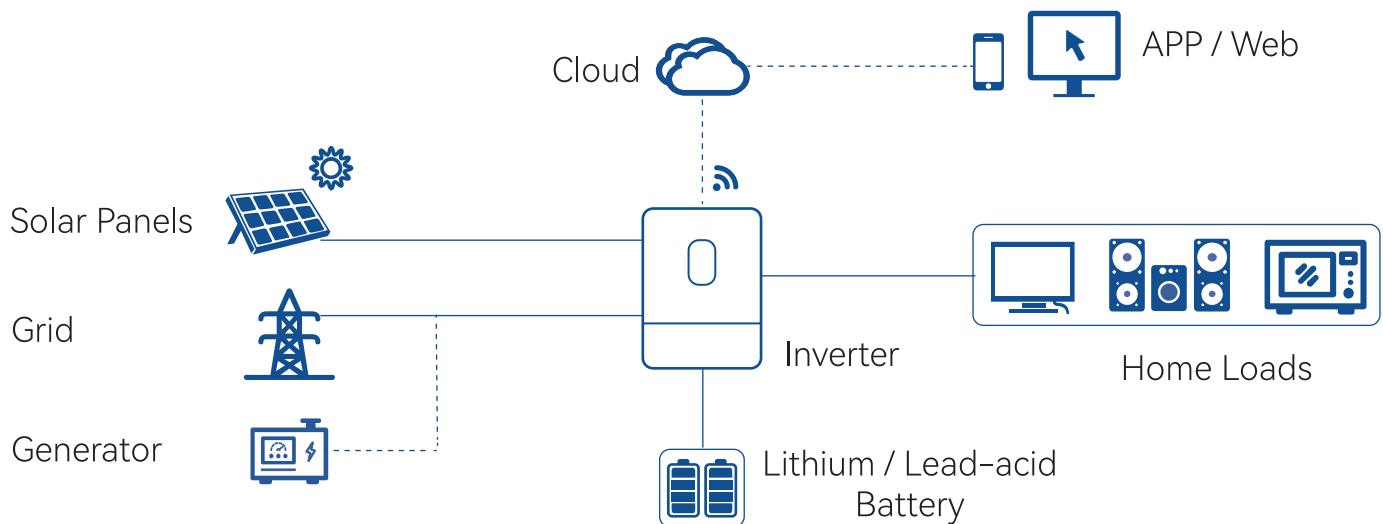


Feed-in to Grid

DUAL

Dual AC Out

System Diagram



Specifications

Model	MHFI-6548-C
AC Input	
Rated Input Voltage (VAC)	208 / 220 / 230 / 240; L + N + PE
Voltage Range (VAC)	90~280±3 (normal mode); 170~280±3 (UPS mode)
Frequency (Hz)	50 / 60 (Auto Adaptive)
AC Output	
Rated Capacity (kW)	6.5
Surge Power (kVA)	13
Voltage (VAC)	208 / 220 / 230 / 240
Power Factor (PF)	1
Frequency	50/60Hz±0.1%
Switch Time (ms)	10 (normal mode) / 10 (UPS mode)
Wave Form	Pure Sine Wave
Overload Capacity (Battery Mode)	10S@ > 150%Load
Max. Efficiency (Battery Mode)	94%@48VDC
Parallel Quantity	NA
Charger (PV / AC)	
Solar Charger Type	MPPT
Max PV Input Current / Input Power	27A / 9000W
MPPT Range@Operating Voltage (VDC)	60~450
Max PV Open Circuit Voltage (VDC)	500
Max PV Charge Current (A)	120
Max AC Charge Current (A)	120
Max. Charge Current (PV + AC) (A)	120
Battery	
Rated Voltage (VDC)	48
Floating Charge Voltage (VDC)	54
Overcharge Protection (VDC)	61
Battery Type	Lithium and Lead-acid
Interface	
HMI	Colorful LCD
Interface	RS232 / RS485 / USB / Dry Contact
Monitoring	WiFi (yes)
General Data	
Ingress Protection	IP21
Operating Temperature	-10 °C ~ 50 °C
Relative Humidity	5% ~ 95% (Non-condensing)
Storage Temperature	-15 °C ~ 60 °C
Net Weight (kg)	10
Dimensions (W*H*D)	410*336*110mm
Max. Operating Altitude	4000m (Derating above 1000m)