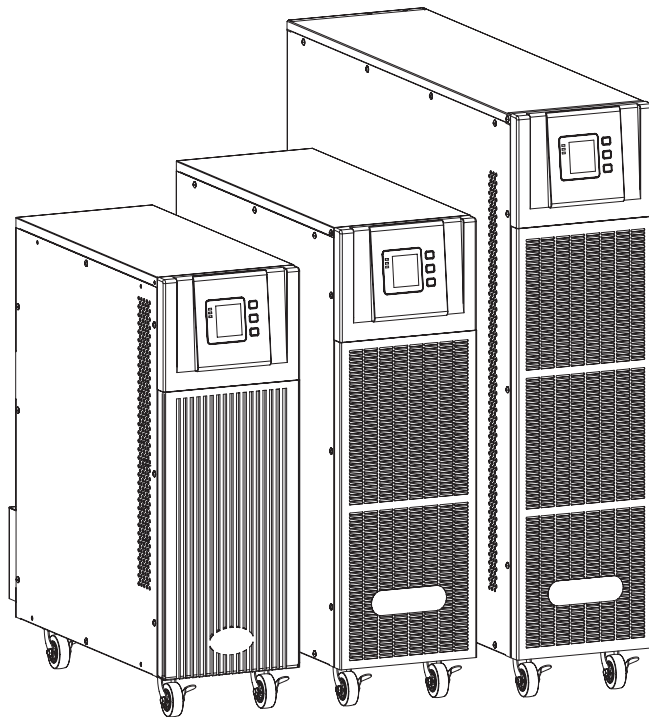




**MUO 10~20K 3-1**



**Uninterruptible Power Systems**

**User Manual**

All rights reserved.

The information in this document is subject to change without notice.

## Publish statement

Thank you for purchasing this series UPS.

This series UPS is an intelligent, three phase in single phase out, high frequency online UPS designed by our R&D team who is with years of designing experiences on UPS.

With excellent electrical performance, perfect intelligent monitoring and network functions, smart appearance, complying with EMC and safety standards, The UPS meets the world's advanced level.

Read this manual carefully before installation

This manual provides technical support to the operator of the equipment.

Contact the nearest hazardous waste disposal station when the products or components are discarded

# Contents

<b>1. Safety</b> .....	2
<b>1.1 Safety notes</b> .....	2
<b>1.2 Symbols used in this guide</b> .....	2
<b>2. Main Features</b> .....	3
<b>2.1 Summarization</b> .....	3
<b>2.2 Functions and Features</b> .....	3
<b>3. Installation</b> .....	4
<b>3.1 Unpack checking</b> .....	4
<b>3.2 Cabinet Outlook</b> .....	4
<b>3.3 LCD control panel</b> .....	8
<b>3.4 Installation notes</b> .....	8
<b>3.5 External Protective Devices</b> .....	9
<b>3.6 Power Cables</b> .....	9
<b>3.7 Power cable connect</b> .....	10
<b>3.8 Battery connection</b> .....	11
<b>3.9 UPS parallel Installation</b> .....	14
<b>3.10 Computer access</b> .....	15
<b>4. Operation</b> .....	17
<b>4.1 Operation Modes</b> .....	17
<b>4.2 Turn on/off UPS</b> .....	18
<b>4.3 The LCD Display</b> .....	24
<b>4.4 Parameters setting</b> .....	27
<b>4.5 Parallel system commissioning</b> .....	35
<b>4.6 Display Messages/Troubleshooting</b> .....	36
<b>4.7 Options</b> .....	37
<b>Appendix 1 Specifications</b> .....	39
<b>Appendix 2 Problems and Solution</b> .....	41
<b>Appendix 3 USB communication port definition</b> .....	42
<b>Appendix 4 RS232 communication port definition</b> .....	43
<b>Appendix 5 RS485 communication port definition</b> .....	44
<b>Appendix 6 BAT_T communication port definition</b> .....	45
<b>Appendix 7 Optional port definition</b> .....	45
<b>Appendix 8 REPO instruction</b> .....	46

# 1. Safety

Important safety instructions - Save these instructions

There exists dangerous voltage and high temperature inside the UPS. During the installation, operation and maintenance, please abide the local safety instructions and relative laws, otherwise it will result in personnel injury or equipment damage. Safety instructions in this manual act as a supplementary for the local safety instructions. Our company will not assume the liability that caused by disobeying safety instructions.

## 1.1 Safety notes

1. Even no connection with utility power, 220/230/240Vac voltage may still exist at UPS terminal!
2. For the sake of human being safety, please well earth the UPS before starting it.
3. Don't open or damage battery, for the liquid spilled from the battery is strongly poisonous and do harmful to body!
4. Please avoid short circuit between anode and cathode of battery, otherwise, it will cause spark or fire!
5. Don't disassemble the UPS cover, or there may be an electric shock!
6. Check if there exists high voltage before touching the battery
7. Working environment and storage way will affect the lifetime and reliability of the UPS. Avoid the UPS from working under following environment for long time
  - ◆ Area where the humidity and temperature is out of the specified range(temperature 0 to 40°C, relative humidity 5%-95%)
  - ◆ Direct sunlight or location nearby heat
  - ◆ Vibration Area with possibility to get the UPS crashed.
  - ◆ Area with erosive gas, flammable gas, excessive dust, etc
8. Keep ventilations in good conditions otherwise the components inside the UPS will be over-heated which may affect the life of the UPS.

## 1.2 Symbols used in this guide



**WARNING!**

**Risk of electric shock**



**CAUTION!**

**Read this information to avoid equipment damage**

## 2. Main Features

### 2.1 Summarization

This series UPS is a kind of three-in-single-out high frequency online UPS.

The UPS can solve most of the power supply problems, such as blackout, over-voltage, under-voltage, voltage sudden drop, oscillating of decreasing extent, high voltage pulse, voltage fluctuation, surge, inrush current, harmonic distortion (THD), noise interference, frequency fluctuation, etc..

This UPS can be applied to different applications from computer device, automatic equipment, communication system to industry equipment.

### 2.2 Functions and Features

#### ◆Digital Control

This series UPS is controlled by Digital Signal Processor (DSP); enhance, it increases reliability, performance, self-protection, and self-diagnostics and so on.

#### ◆Battery Configurable

From 16 blocks to 20 blocks, the battery voltage of this series UPS can be configured at 16 blocks, 18 blocks or 20 blocks according to your convenience.

Optional: from 32 blocks to 40 blocks, the battery voltage of this series UPS can be configured at 32 blocks, 34 blocks, 36 blocks, 38 blocks or 40 blocks according to your convenience.

#### ◆Charging Current is configurable

Via setting tool, the user may set the capacity of the batteries as well as reasonable charging current as well as maximum charging current. Constant voltage mode, constant current mode or floating mode can be switched automatically and smoothly.

#### ◆Intelligent Charging Method

The series UPS adopts advanced three-stage charging method—

1<sup>st</sup> stage: high current constant current charging

to guarantee to charge back to 90%;

2<sup>nd</sup>-stage: Constant Voltage

In order to vitalize battery and make sure batteries are fully charged

3<sup>rd</sup> stage: floating mode.

With this 3-stage charging method, it extends the life of the batteries and guarantees fast charging.

#### ◆LCD Display

With LCD plus LED displays, the user may easily get UPS status and its operational parameters, such as input/output voltage, frequency & load%, battery % and ambient temperature, etc...

#### ◆Intelligent Monitoring Function

Via optional SNMP Card, you may remotely control and monitor the UPS.

#### ◆EPO Function

The series UPS may be completely shut off when the EPO is pressed. REPO function (Remote EPO) is also available in this series UPS.

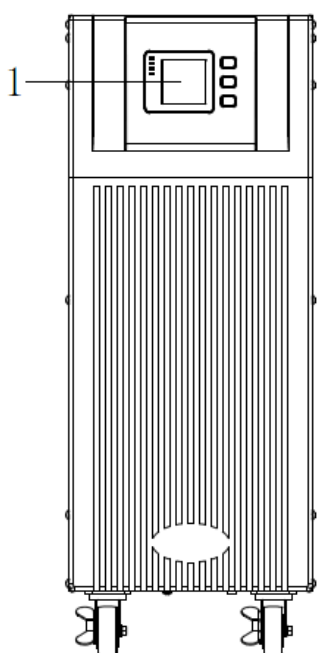
## 3. Installation

### 3.1 Unpack checking

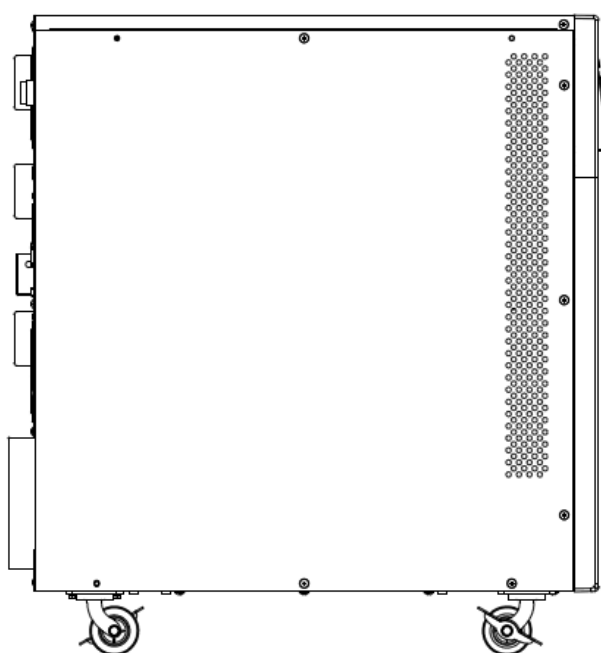
1. Don't lean the UPS when moving it out from the packaging
2. Check the appearance to see if the UPS is damaged or not during the transportation, do not switch on the UPS if any damage found. Please contact the dealer right away.
3. Check the accessories according to the packing list and contact the dealer in case of missing parts.

### 3.2 Cabinet Outlook

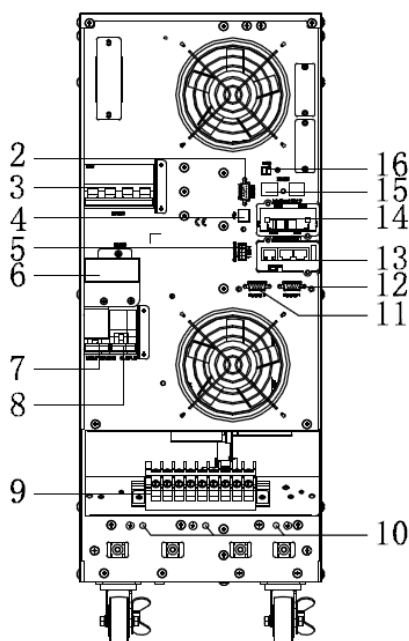
#### 3.2.1 10-20k (H)



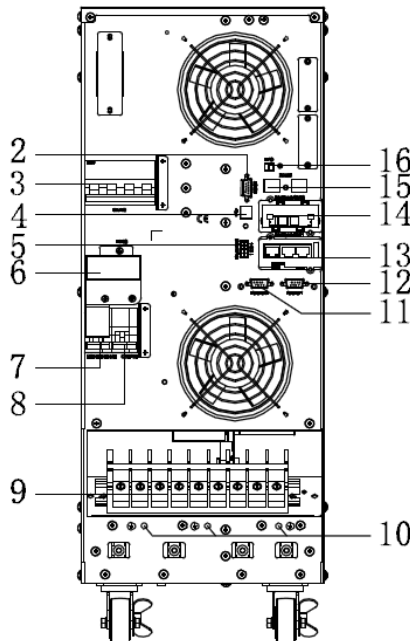
Front View



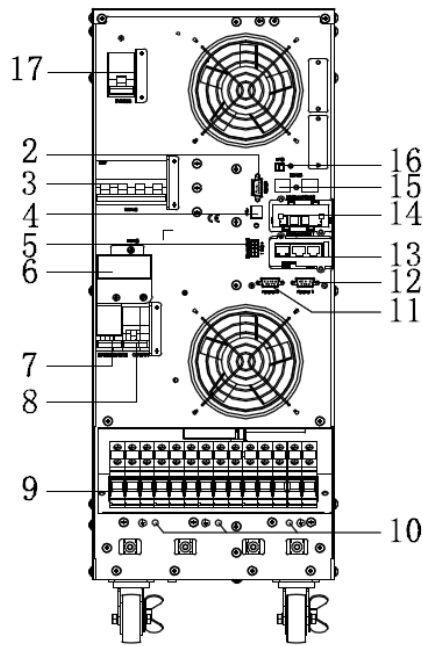
Side View



10kVA Rear View (terminal block without cover)



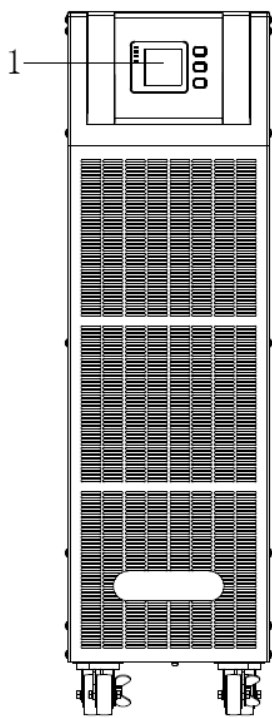
15-20kVA Rear View (terminal block without cover)



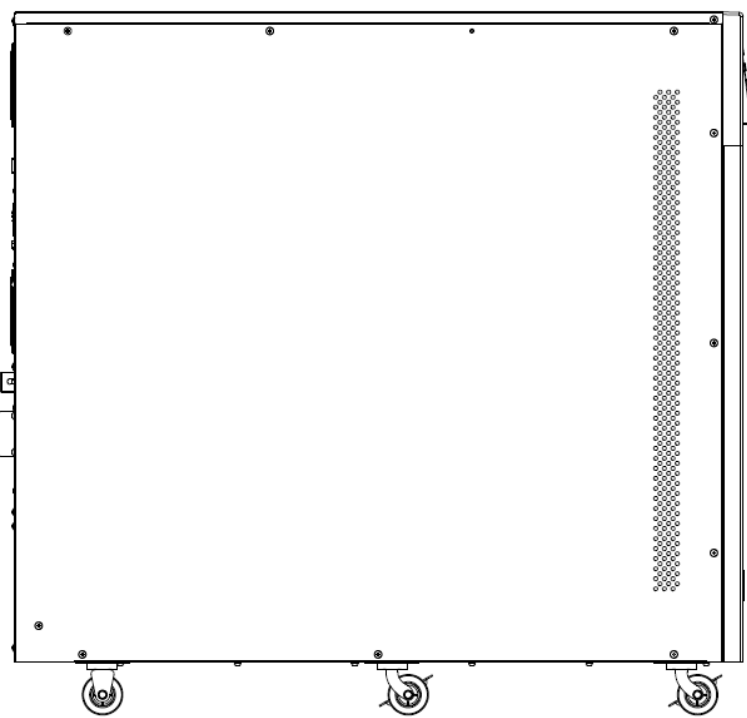
**10-20kVA Rear View (Dual input, terminal block without cover)**

(1) LCD panel	(2) RS232 port
(3) Input Switch	(4) USB port
(5) Dry contact port	(6) External maintenance switch signal / Maintenance switch cover plate
(7) Maintenance switch	(8) Output Switch
(9) Terminal block for Input, output, battery & Ground	(10) Ground
(11) Parallel port 1	(12) Parallel port 2
(13) Intelligent Slot 2 (SNMP card/ Relay card)	(14) Intelligent Slot 1 (SNMP card)
(15) RS485 port	(16) REPO port
(17) Bypass Switch (Dual input)	

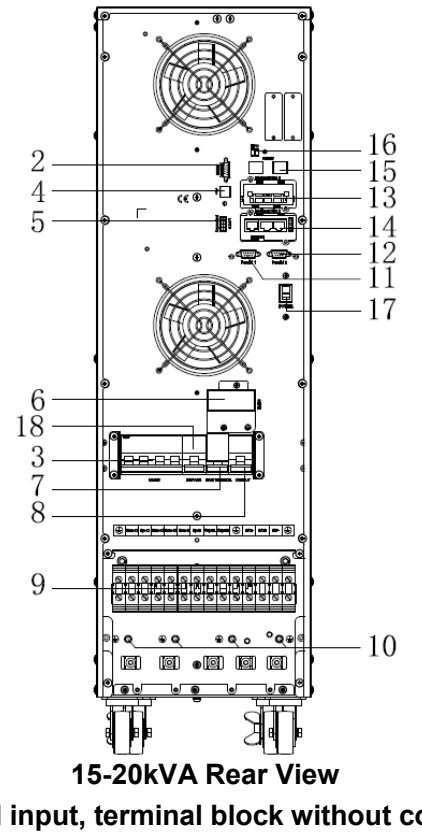
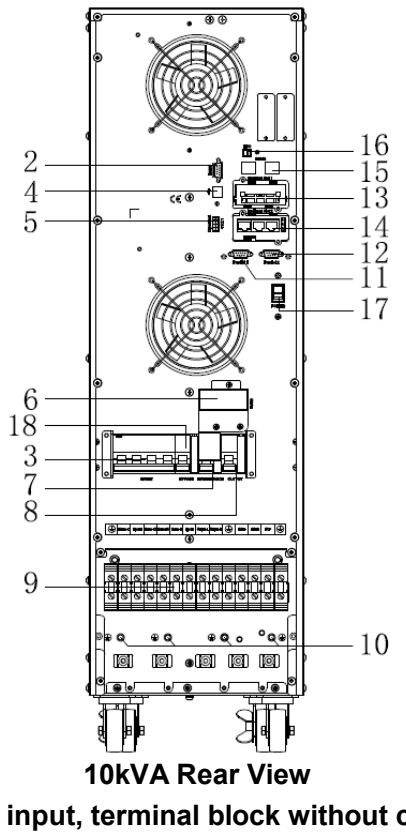
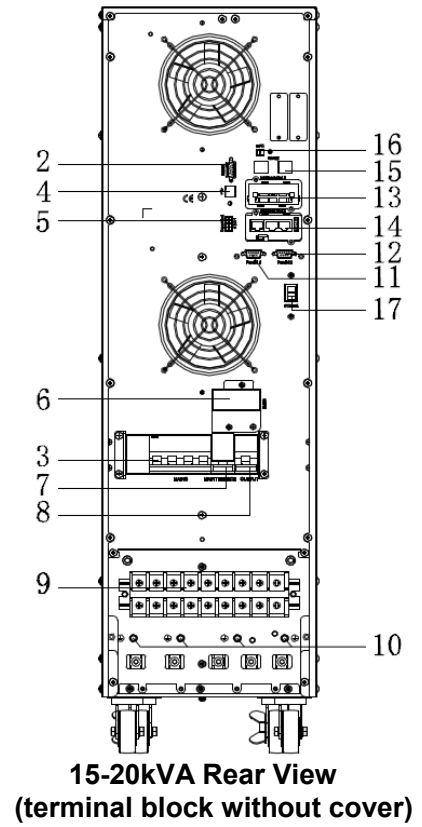
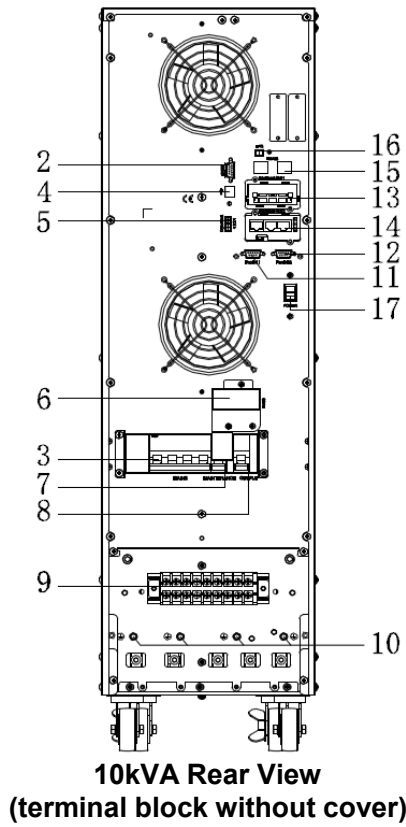
**3.2.2 10-20k (S)**



**Front View**



**Side View**

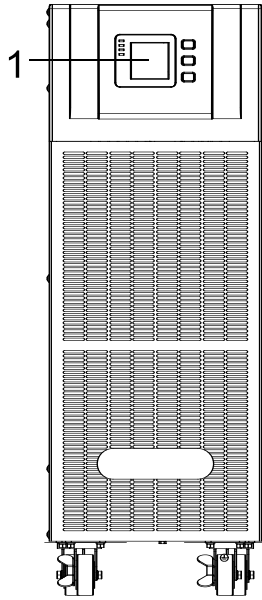


(1) LCD panel	(2) RS232 port
(3) Input Switch	(4) USB port
(5) Dry contact port	(6) External maintenance switch signal / Maintenance switch cover plate
(7) Maintenance switch	(8) Output Switch
(9) Terminal block for Input, output, battery & Ground(Dual input)	(10) Ground

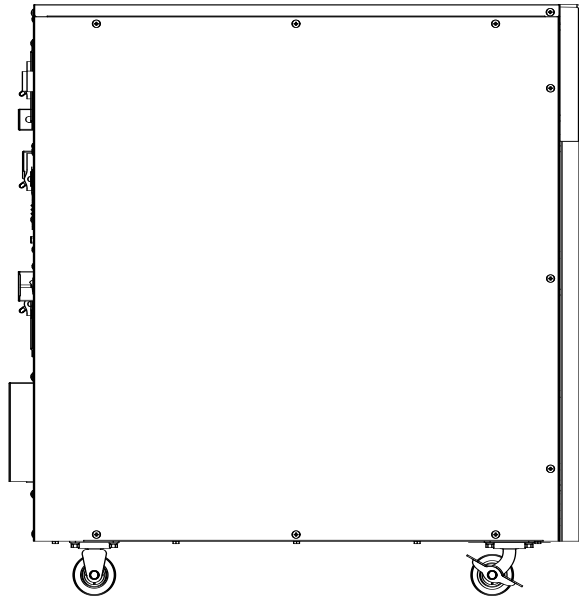


(11) Parallel port 1	(12) Parallel port 2
(13) Intelligent Slot 1 (SNMP card)	(14) Intelligent Slot 2 (SNMP card/ Relay card)
(15) RS485 port	(16) REPO port
(17) Power Switch	(18) Bypass Switch (Dual input)

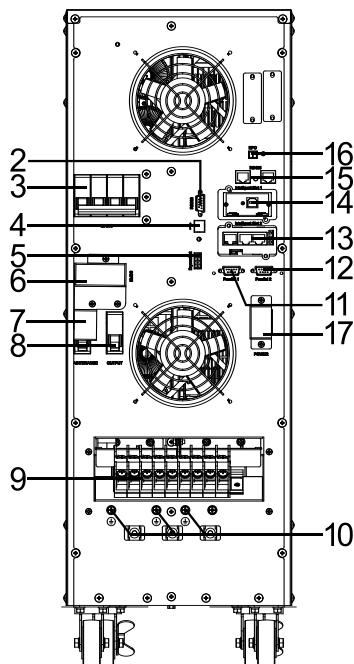
### 3.2.3 10k (S) (Small size version)



Front View

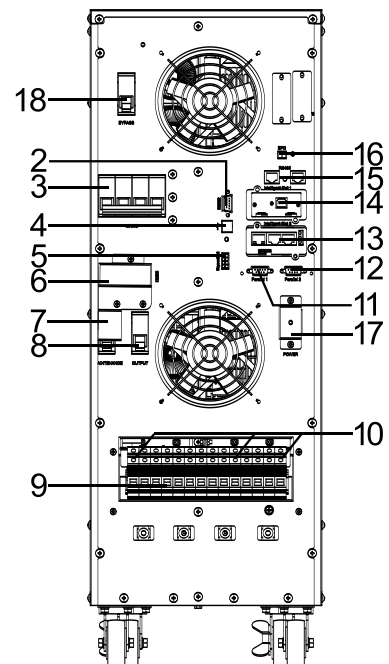


Side View



Rear View

(terminal block without cover)



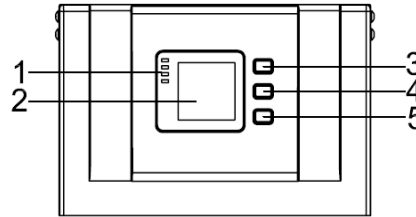
Rear View

(Dual input, terminal block without cover)

(1) LCD panel	(2) RS232 port
(3) Input Switch	(4) USB port
(5) Dry contact port	(6) External maintenance switch signal / Maintenance switch cover plate
(7) Maintenance switch	(8) Output Switch

(9) Terminal block for Input, output, battery & Ground (Dual input)	(10) Ground
(11) Parallel port 1	(12) Parallel port 2
(13) Intelligent Slot 2 (SNMP card/ Relay card)	(14) Intelligent Slot 1 (SNMP card)
(15) RS485 port	(16) REPO port
(17) Power Switch	(18) Bypass Switch (Dual input)

### 3.3 LCD control panel



#### LCD control panel introduction

( 1 ) LED ( from top to bottom: “alarm”, “bypass”, “battery”, “inverter” ) ( 2 ) LCD display ( 3 ) scroll button ( 4 ) Off button ( 5 ) On button(battery cold start switch)

### 3.4 Installation notes

Note: Consider for the convenience of operation and maintenance, the space in front and back of the cabinet should be left at least 100cm and 80cm respectively when installing the cabinet.

◆ Please place the UPS in a clean, stable environment, avoid the vibration, dust, humidity, flammable gas and liquid, corrosive. To avoid from high room temperature, a system of room extractor fans is recommended to be installed. Optional air filters are available if the UPS operates in a dusty environment.

◆ The environment temperature around UPS should keep in a range of 0°C ~ 40°C. If the environment temperature exceeds 40°C, the rated load capacity should be reduced by 12% per 5°C. The max temperature can't be higher than 50°C.

◆ If the UPS is dismantled under low temperature, it might be in a condensing condition. The UPS can't be installed unless the internal and external of the equipment is fully dry. Otherwise, there will be in danger of electric shock.

◆ Batteries should be mounted in an environment where the temperature is within the required specs. Temperature is a major factor in determining battery life and capacity. In a normal installation, the battery temperature is maintained between 15°C and 25°C. Keep batteries away from heat sources or main air ventilation area, etc.



#### WARNING!

Typical battery performance data are quoted for an operating temperature between 20°C and 25°C. Operating it above this range will reduce the battery life while operation below this range will reduce the battery capacity.

◆ Should the equipment not be installed immediately it must be stored in a room so as to protect it against excessive humidity and or heat sources.



#### CAUTION!

An unused battery must be recharged every 6 months Temporarily connecting the UPS to a suitable AC supply mains and activating it for the time required for recharging the batteries.

◆ The highest altitude that UPS may work normally with full load is 1500 meters. The load capacity should be reduced when this UPS is installed in place whose altitude is higher than 1500 meters, shown as the following table:

(Load coefficient equals max load in high altitude place divided by nominal power of the UPS)

Altitude(m)	1500	2000	2500	3000	3500	4000	4500	5000
Load coefficient	100%	95%	90%	85%	80%	75%	70%	65%

◆ The UPS cooling is depending on fan, so it should be kept in good air ventilation area. There are many ventilation holes on the front and rear, so they should not be blocked by any exotic obstacles.

### 3.5 External Protective Devices

For safety reasons, it is necessary to install, external circuit breaker at the input A.C. supply and the battery. This chapter provides guidelines for qualified installers that must have the knowledge of local wiring practices for the equipment to be installed.

#### ◆ External Battery

The UPS and its associated batteries are protected against the effect of over-current through a DC compatible thermo-magnetic circuit-breaker (or a set of fuses) located close to the battery.

#### ◆ UPS Output

Any external distribution board used for load distribution shall be fitted with protective devices that may avoid the risk of UPS overloaded.

#### ◆ Over-current

Protection device shall be installed at the distribution panel of the incoming main supply. It may identify the power cables current capacity as well as the overload capacity of the system.

### 3.6 Power Cables

◆ The cable design shall comply with the voltages and currents provided in this section, Kindly follow local wiring practices and take into consideration the environmental conditions (temperature and physical support media) .



#### **WARNING!**

**Upon starting. Please ensure that you are aware of the location and operation of the external isolators which are connected to the UPS input/bypass supply of the mains distribution panel. Check to see if these supplies are electrically isolated. And post and necessary warning signs to prevent any inadvertent operation.**

◆ For future expansion purpose, it is economical to install power cable according to the full rating capacity initially. The diameter of cable is shown bellow:

UPS cabinet	Cable Dimension			
	AC Input (mm <sup>2</sup> )	AC Output (mm <sup>2</sup> )	DC Input (mm <sup>2</sup> )	Grounding (mm <sup>2</sup> )
<b>10kVA</b>	10	10	10	10
<b>15kVA</b>	16	16	16	16
<b>20kVA</b>	25	25	35	25

### CAUTION!



**Protective earth cable: Connect each cabinet to the main ground system. For Grounding connection, follow the shortest route possible.**

### WARNING!



**Failure to follow adequate earthing procedures may result in electromagnetic interference or in hazards involving electric shock and fire**

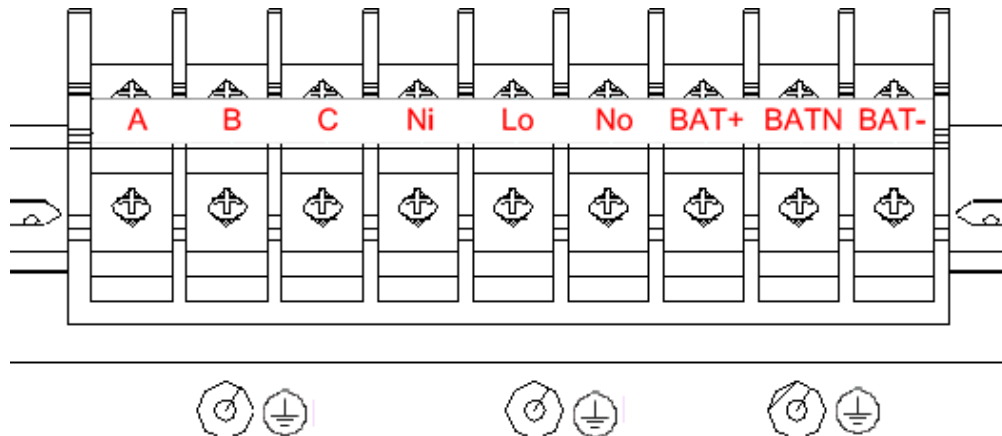
## 3.7 Power cable connect

Once the equipment has been finally positioned and secured, connect the power cables as described in the following procedure.

Verify the UPS is totally isolated from its external power source and also all power isolators of the UPS are open. Check to see if they are electrically isolated, and post any necessary warning signs to prevent their inadvertent operation.

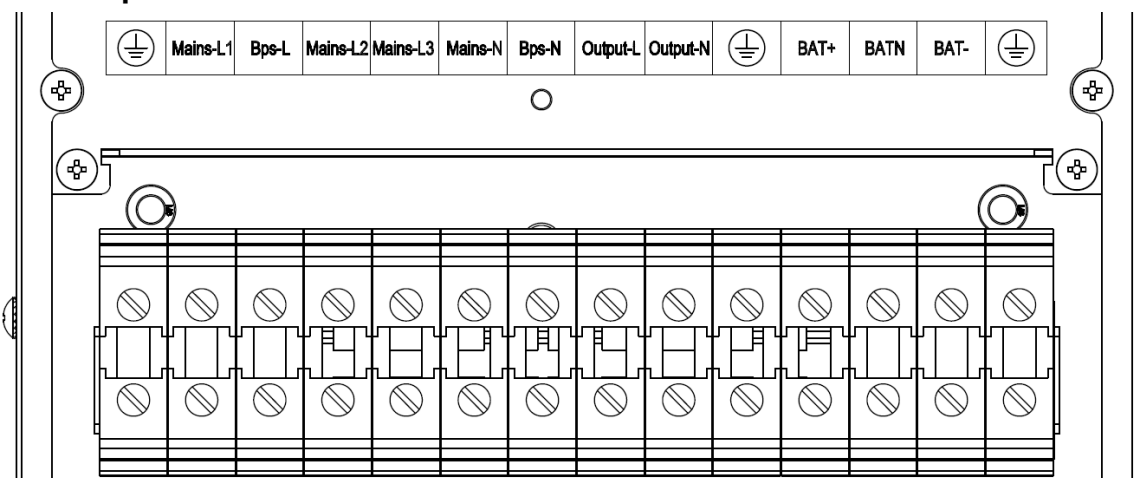
Remove the cover of terminals for wiring easily.

### Single input version:



Terminal sequence from left to right: Input phase A(L1), Input phase B(L2), Input phase C(L3), Input Neutral line, Output phase L, Output Neutral line, Battery positive, Battery Neutral, Battery negative. There are 3 connectors of GROUND under the terminal block.

### Dual input version:



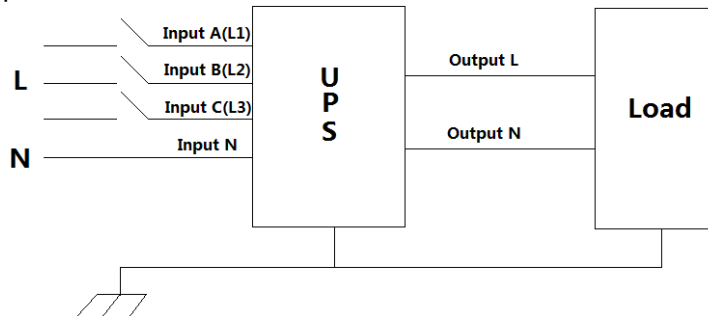
Terminal sequence from left to right: GROUND, Input phase A(L1), Bypass phase L, Input phase B(L2), Input phase C(L3), Input Neutral line, Bypass Neutral line, Output phase L, Output Neutral line, GROUND, Battery positive, Battery Neutral, Battery negative, GROUND.

## Warning!

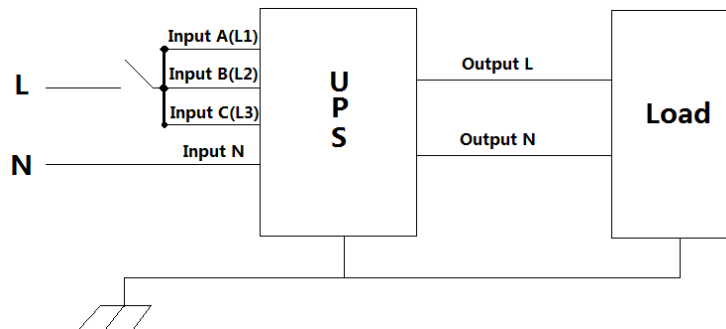


In the case of “Dual input” operation, make sure the copper wire between each input lines have been removed. The AC input and the AC bypass supplies must be referenced to the same neutral point.

Choose appropriate power cable. (Refer to the table above) and pay attention to the diameter of the connection terminal of the cable that should be greater than or equal to that of the connection poles;



Three phase in single phase out



Single phase in single phase out

## WARNING!



If the load equipment is not ready to accept power on the arrival of the commissioning engineer then ensure that the system output cables are safely isolated at their ends

Connect the safety earth and any necessary bonding earth cables to the copper earth screw located on the floor of the equipment below the power connections. All cabinets in the UPS must be grounded properly.



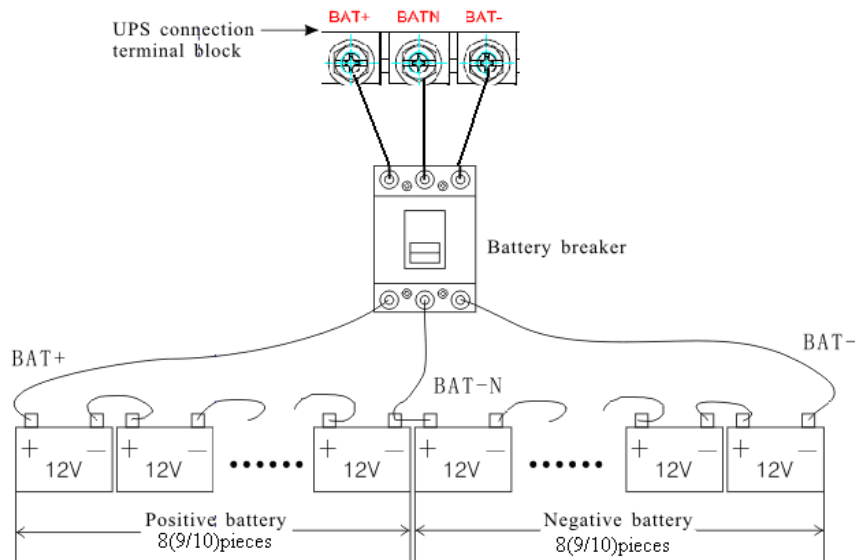
## CAUTION!

The earthing and neutral bonding arrangement must be in accordance with local and national codes of practice.

## 3.8 Battery connection

### 3.8.1 The standard model

The UPS adopts positive and negative double battery framework, totally 16pcs (optional 18/20) in series. A neutral cable is retrieved from the joint between the cathode of the 8<sup>th</sup> (9<sup>th</sup>/10<sup>th</sup>) and the anode of the 9<sup>th</sup> (10<sup>th</sup>/11<sup>th</sup>) of the batteries. Then the neutral cable, the battery Positive and the battery negative are connected with the UPS respectively. The battery sets between the Battery anode and the neutral are called positive batteries and that between neutral and cathode are called negative ones. The user can choose the capacity and the numbers of the batteries according to their desire. External battery connections for long-run units.



Note:

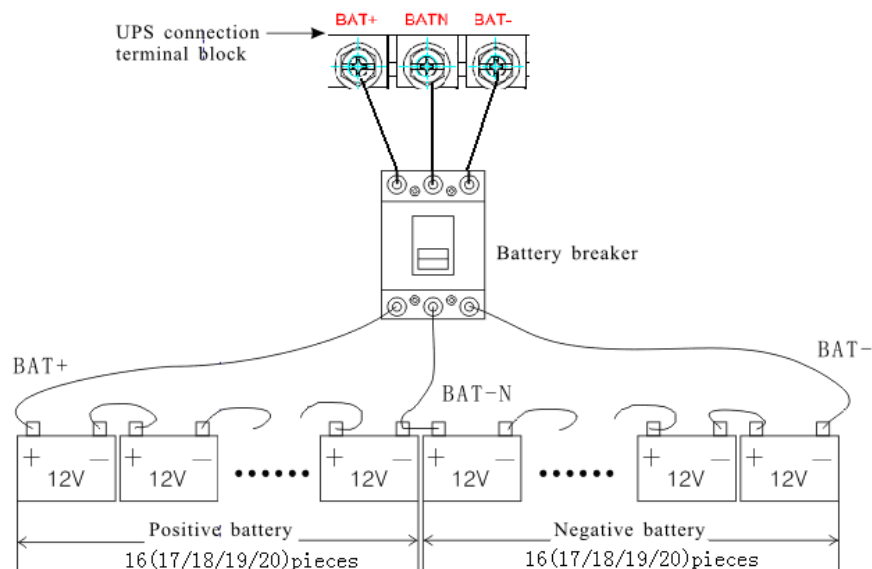
The BAT+ of the UPS connect poles is connected to the anode of the positive battery, the BAT-N is connected to the cathode of the positive battery and the anode of the negative battery, the BAT- is connected to the cathode of the negative battery.

Factory setting of the long-run unit is battery quantity---16pcs, battery capacity-- -12V40AH (charger current 6A). When connecting 18/20 batteries, please re-set desired battery quantity and its capacity after UPS starts at AC mode. Charger current could be adjusted automatically according to battery capacity selected. All related settings can be done through LCD panel or monitoring software.

### 3.8.2 Optional model

The UPS adopts positive and negative double battery framework, totally 16pcs (optional 18/20) in series. A neutral cable is retrieved from the joint between the cathode of the 16<sup>th</sup> (17<sup>th</sup>/18<sup>th</sup>/19<sup>th</sup>/20<sup>th</sup>) and the anode of the 17<sup>th</sup> (18<sup>th</sup>/19<sup>th</sup>/20<sup>th</sup>/21<sup>th</sup>) of the batteries. Then the neutral cable, the battery Positive and the battery negative are connected with the UPS respectively. The battery sets between the Battery anode and the neutral are called positive batteries and that between neutral and cathode are called negative ones. The user can choose the capacity and the numbers of the batteries according to their desire.

External battery connections for long-run units.



**Note:**

The BAT+ of the UPS connect poles is connected to the anode of the positive battery, the BAT-N is connected to the cathode of the positive battery and the anode of the negative battery, the BAT- is connected to the cathode of the negative battery.

Factory setting of the long-run unit is battery quantity---32pcs, battery capacity--12V40AH (charger current 6A). When connecting 34/36/38/40 batteries, please reset desired battery quantity and its capacity after UPS starts at AC mode. Charger current could be adjusted automatically according to battery capacity selected. All related settings can be done through LCD panel or monitoring software.



**CAUTION!**

Ensure correct polarity battery string series connection. I.e. inter-tier and inter block connections are from (+) to (-) terminals. Don't mix batteries with different capacity or different brands, or even mix up new and old batteries, either.



**WARNING!**

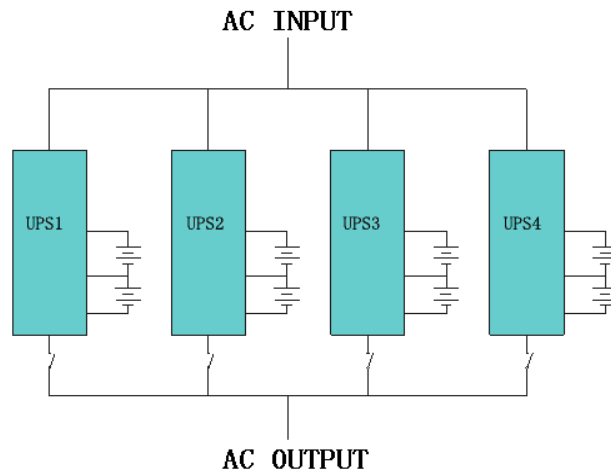
Ensure correct polarity of string end connections to the Battery Circuit Breaker and from the Battery Circuit Breaker to the UPS terminals i.e. (+) to (+) / (-) to (-) but disconnect one or more battery cell links in each tier. Do not reconnect these links and do not close the battery circuit breaker unless authorized by the commissioning engineer.

## 3.9 UPS parallel Installation

The following sections introduce the installation procedures specified to the parallel system.

### 3.9.1 Cabinet installation

Connect all the UPS needed to be put into parallel system as below picture.



Make sure each UPS input breaker is in “off” position and there is no any output from each UPS connected. Battery groups can be connected separately or in parallel, which means the system itself provides both separate battery and common battery.

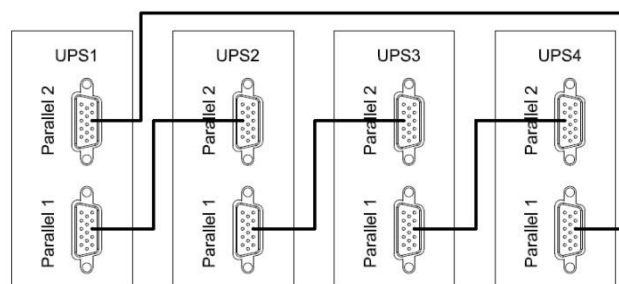


#### **WARNING!**

**Make sure the N, A (L1), B (L2), C (L3) lines are correct, and grounding is well connected.**

### 3.9.2 Parallel cable installation

Shielded and double insulated control cables available must be interconnected in a ring configuration between UPS units as shown below. The ring configuration ensures high reliability of the control.



### 3.9.3 Requirement for the parallel system

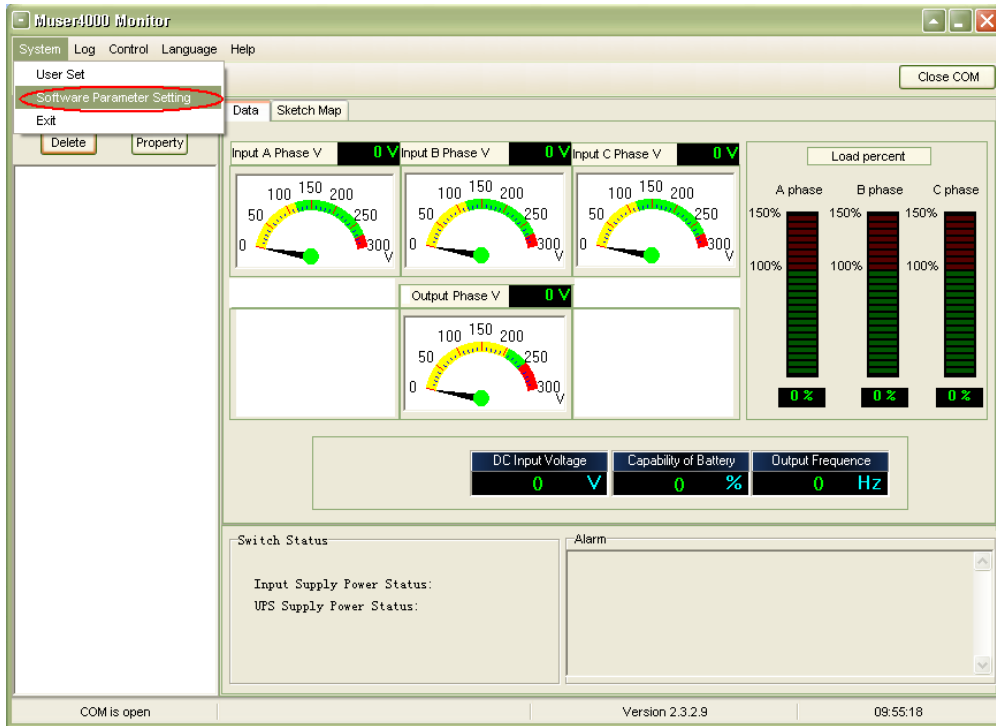
A group of paralleled UPS behaves as one large UPS system but with the advantage of presenting higher reliability. In order to assure that all UPS are equally utilized and comply with relevant wiring rules, please follow the requirements below:

- 1) All UPS must be of the same rating and be connected to the same bypass source.
- 2) The outputs of all the UPS must be connected to a common output bus.
- 3) The length and specification of power cables including the bypass input cables and the UPS output cables should be the same. This facilitates load sharing when operating in bypass mode.

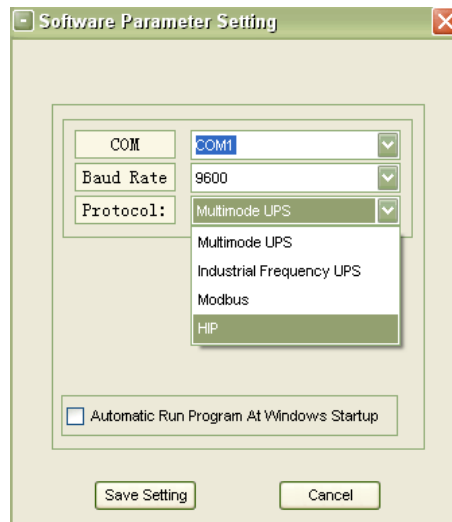


### 3.10 Computer access

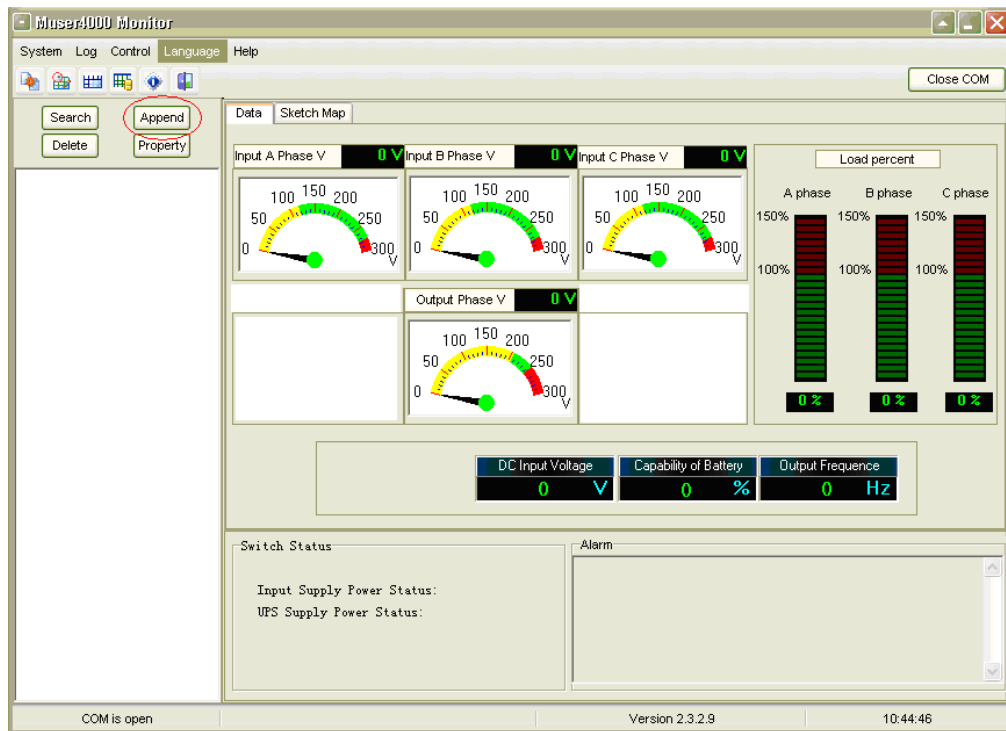
- ◆ One end of a USB cable connect to the computer, the other end connect to the USB port on the UPS.
- ◆ Open the software Muser4000, click “system” button.



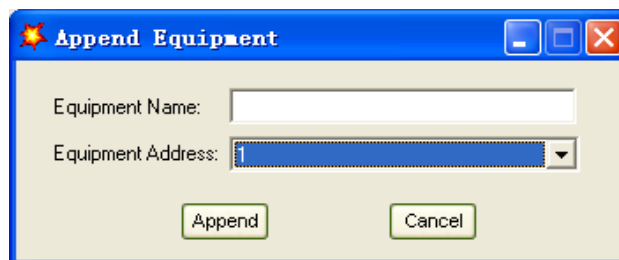
- ◆ A window of “Software Parameter Setting” comes out as below, COM choose according to the UPS , baud rate choose 9600, protocol choose “HIP”, then save this setting.



- ◆ On the main page of Muser4000, click the button of “Append”, then goes to a window of “Append equipment”.



◆ Put the UPS name into “Equipment Name”, and UPS’ ID address into “Equipment address”.



◆ Click the button “Append”, then the connection between UPS & computer is accomplished.



### CAUTION!

**When the UPS worked on inverter. If you want to use PC to set the output voltage and frequency. Must shut down the inverter first**

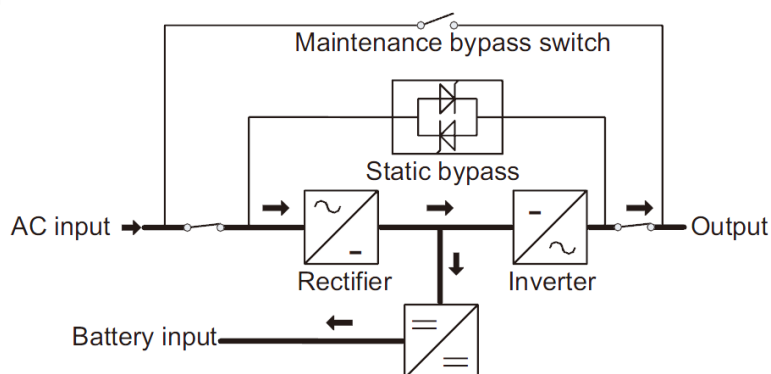
## 4. Operation

### 4.1 Operation Modes

The UPS is a double-conversion on-line UPS that may operate in the following alternative modes:

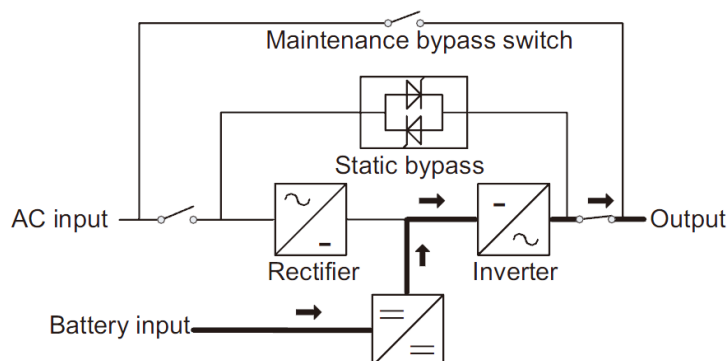
#### ◆ Normal mode

The rectifier/charger derives power from the AC Mains and supplies DC power to the inverter while floating and boosting charge the battery simultaneously. Then, the inverter converts the DC power to AC and supplies to the load.



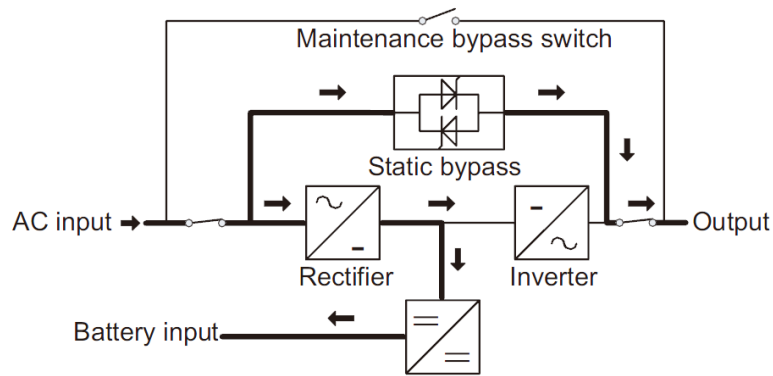
#### ◆ Battery mode (Stored Energy Mode)

If the AC mains input power fails, the inverter, which obtains power from the battery, supplies the critical AC load. There is no power interruption to the critical load. The UPS will automatically return to Normal Mode when AC recovers.



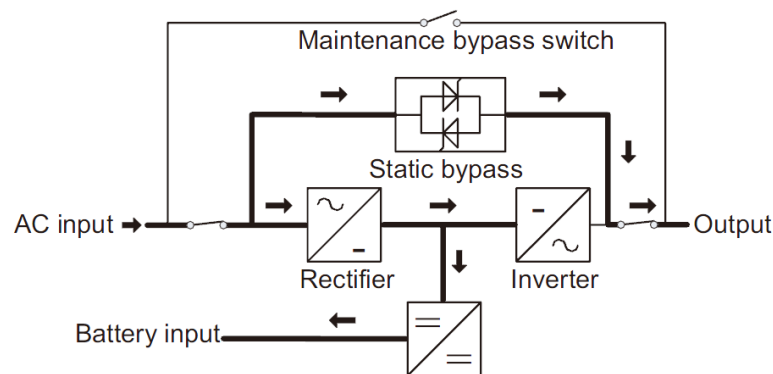
#### ◆ Bypass mode

If the inverter is out of order, or if overload occurs, the static transfer switch will be activated to transfer the load from the inverter supply to bypass supply without interruption to the critical load. In the event that the inverter output is not synchronized with the bypass AC source, the static switch will perform a transfer of the load from the inverter to the bypass with power interruption to the critical AC load. This is to avoid paralleling of unsynchronized AC sources. This interruption is programmable but typically set to be less than an electrical cycle e.g. less than 15ms (50Hz) or less than 13.33ms (60Hz).



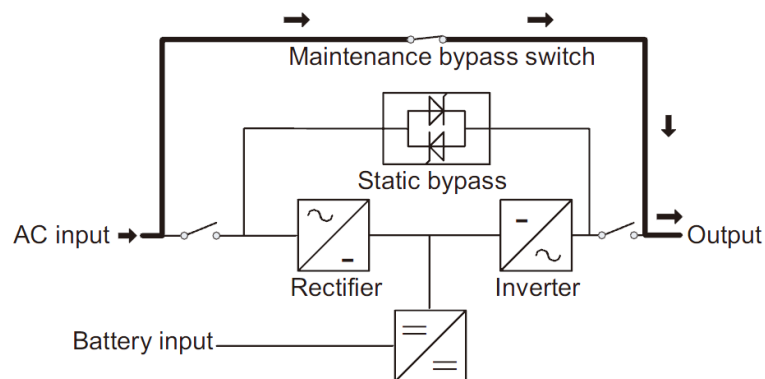
#### ◆ECO Mode

When the UPS is at AC Mode and the requirement to the load is not critical, the UPS can be set at ECO mode in order to increase the efficiency of the power supplied. At ECO mode, the UPS works at Line-interactive mode, so the UPS will transfer to bypass supply. When the AC is out of set window, the UPS will transfer from bypass to Inverter and supplies power from the battery, and then the LCD shows all related information on the screen.



#### ◆Maintenance mode (Manual Bypass)

A manual bypass switch is available to ensure continuity of supply to the critical load when the UPS is out of order or in repair and this manual bypass switch bears for equivalent rated load.



## 4.2 Turn on/off UPS

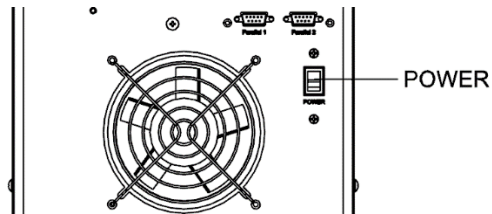
### 4.2.1 Restart procedure



**CAUTION!**

**Make sure grounding is properly done!**

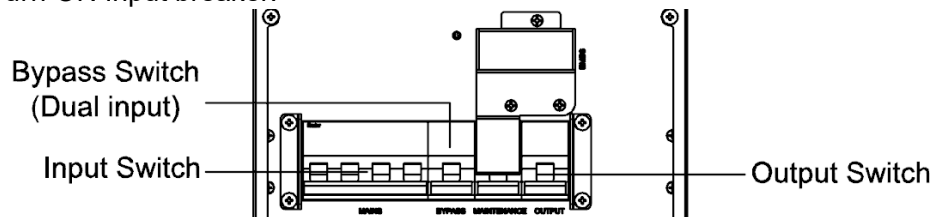
- ◆ Set the Battery Breaker to the “ON” position according to the user’s manual.
- ◆ Turn ON the power switch for standard UPS.



### CAUTION!

**Check to see if the load is safely connected with the output of the UPS. If the load is not ready to receive power from the UPS, make sure that it is safely isolated from the UPS output terminals**

- ◆ Turn ON Bypass breaker(Dual input version).
- ◆ Turn ON Input breaker.



If the Rectifier input is within voltage range, the rectifier will start up in 30 seconds then the inverter will start up after then.

- ◆ Turn ON UPS output switch

If the rectifier fails at startup, the bypass LED will light up. When the inverter starts up, the UPS will transfer from bypass mode to inverter mode, and then the bypass LED extinguishes and the inverter LED lights up.

No matter whether the UPS can work normally or not, all the status will be shown on the LCD display.

#### 4.2.2 Test procedure



### CAUTION!

**The UPS is operating normally. It may take 60 seconds to boost up the system and perform self-test completely.**

- ◆ Switch off the MAINS to simulate utility failure, the rectifier will turn off and the battery should feed the inverter without interruption. At this time, the LEDs of battery should be turned on.
- ◆ Switch on the MAINS to simulate utility recovery, the rectifier will restart automatically after 20 seconds and the inverter will supply to the load. It is suggested to use Dummy loads for testing. The UPS can be loaded up to its maximum capacity during load test.

#### 4.2.3 MAINTENANCE BYPASS

To supply the load via Mains, you may simply active the internal mechanical bypass switch.



### CAUTION!

**The load is not protected by the UPS when the internal mechanical bypass system is active and the power is not conditioned.**

#### Switch to mechanical bypass



If the UPS is running normally and can be controlled through the display, carry out steps 1 to 6; otherwise, jump to Step 5.

- ◆ Open the cover of maintenance switch, the UPS turns to bypass mode automatically.

- ◆ Turn on MAINTANCE breaker;
- ◆ Switch OFF BATTERY breaker;
- ◆ Switch OFF MAINS breaker;
- ◆ Switch OFF BYPASS breaker(Dual input version);
- ◆ Switch OFF OUTPUT breaker;

At this time the bypass source will supply to the load through the MAINTENANCE breaker.

### Switch to normal operation (from mechanical bypass)



#### CAUTION!

**Never attempt to switch the UPS back to normal operation until you have verified that there are no internal UPS faults**

- ◆ Turn ON OUTPUT breaker.
- ◆ Turn ON BYPASS breaker(Dual input version).
- ◆ Turn ON MAINS breaker.

The UPS powers from the static bypass instead of the maintenance bypass, then the bypass LED will light up.

- ◆ Switch OFF the maintenance bypass breaker, then the output is supplied by the static bypass of the UPS.
- ◆ Put on the maintenance switch cover.

The rectifier will operate normally after 30 seconds. If the inverter works normally, the system will be transferred from bypass mode to normal mode.

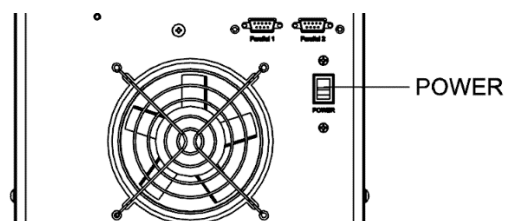
### 4.2.4 Cold start procedure



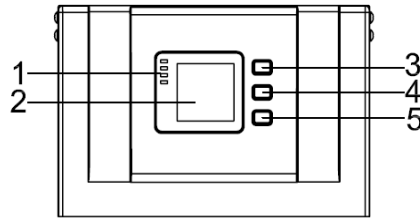
#### CAUTION!

**Follow these procedures when the input AC Utility Failure, but battery is normal**

- ◆ Set the Battery Breaker to the “ON” for long run UPS.
- ◆ Turn ON the power switch for standard UPS.
- ◆ Turn ON the Output switch.
- ◆ Turn ON the power switch (power will feed to auxiliary power board).



- ◆ Trigger the cold start button as the position 5 of the below drawing.



When battery normal, rectifier starts operation, 30s later, inverter starts and operates and battery LED on



**CAUTION!**

**Please press the close start button after 30 seconds until closing the battery switch.**

**4.2.5 Shut down procedure**



**CAUTION!**

**This procedure should be followed to completely shut down the UPS and the LOAD. After all power switches, isolators and circuit breakers are opened, there will be no output.**

**On-line mode:**

- ◆ Press OFF to shut down the UPS, waiting about 30s.
- ◆ Open the BATTERY breaker for long run UPS. Open the battery power switch for standard UPS.
- ◆ Switch OFF the input breaker.
- ◆ Switch OFF the bypass breaker(Dual input version).
- ◆ Switch OFF the OUTPUT breaker. The UPS shuts down;
- ◆ To completely isolate the UPS from AC Mains, all input switches of Utility shall be completely off.
- ◆ The primary input distribution panel, which is often located far away from the UPS area, so a label should be posted to advise service personnel that the UPS circuit is under maintenance.

**Battery mode:**

- ◆ Press OFF to shut down the UPS, waiting about 30s.
- ◆ Open the BATTERY breaker for long run UPS. Open the battery power switch for standard UPS.
- ◆ Switch OFF the OUTPUT breaker. The UPS shuts down.

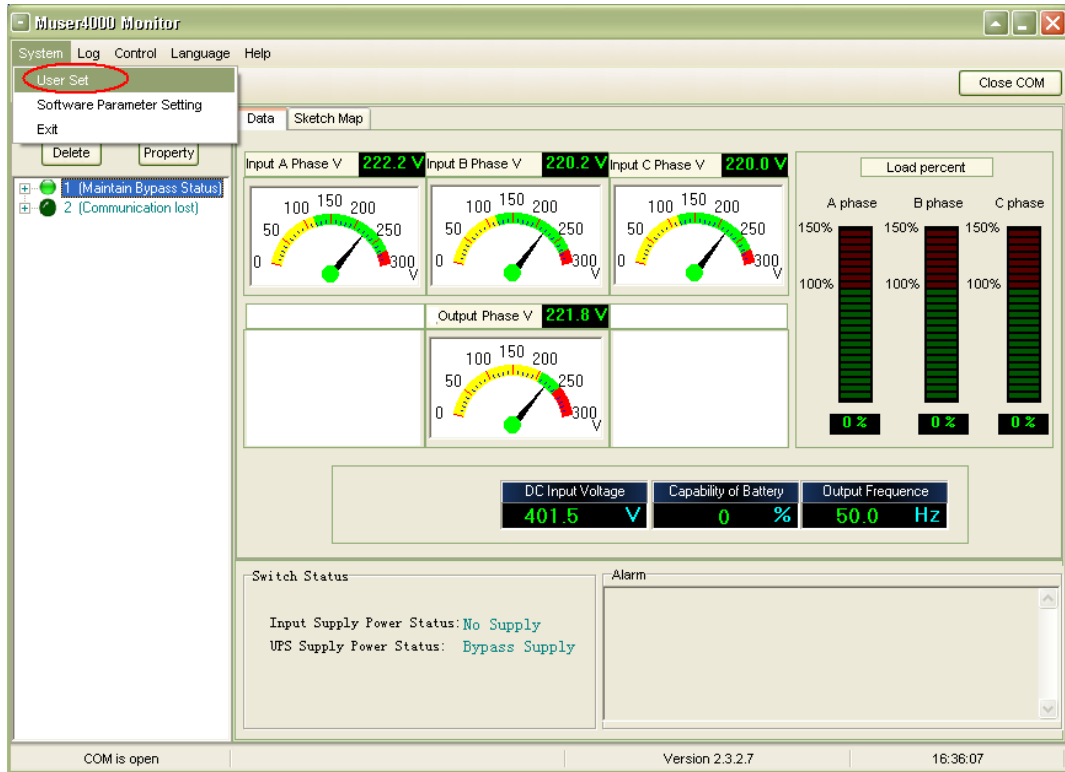


**WARNING!**

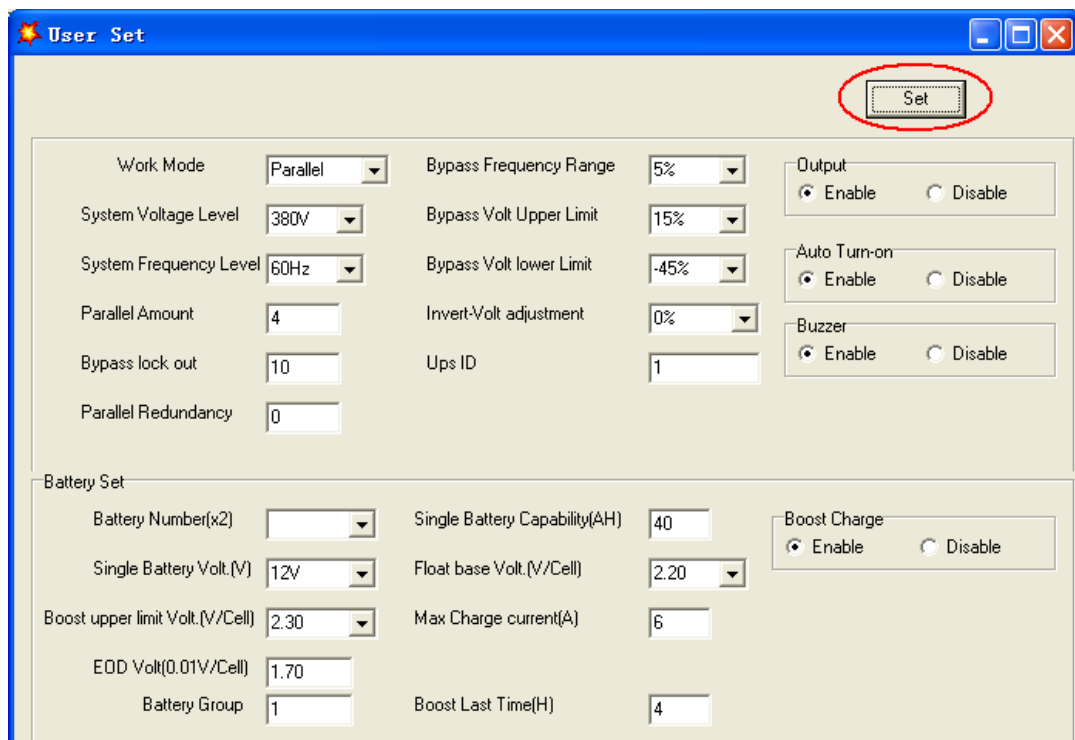
**Wait for about 5 minutes for the internal D.C. bus bar capacitors to be completely discharged.**

## 4.2.6 Parallel setting

- ◆ Connect the UPS with computer. Power on the UPS.
- ◆ Open Muser4000 software, after connecting with the UPS successfully, click “System”->“User Set”



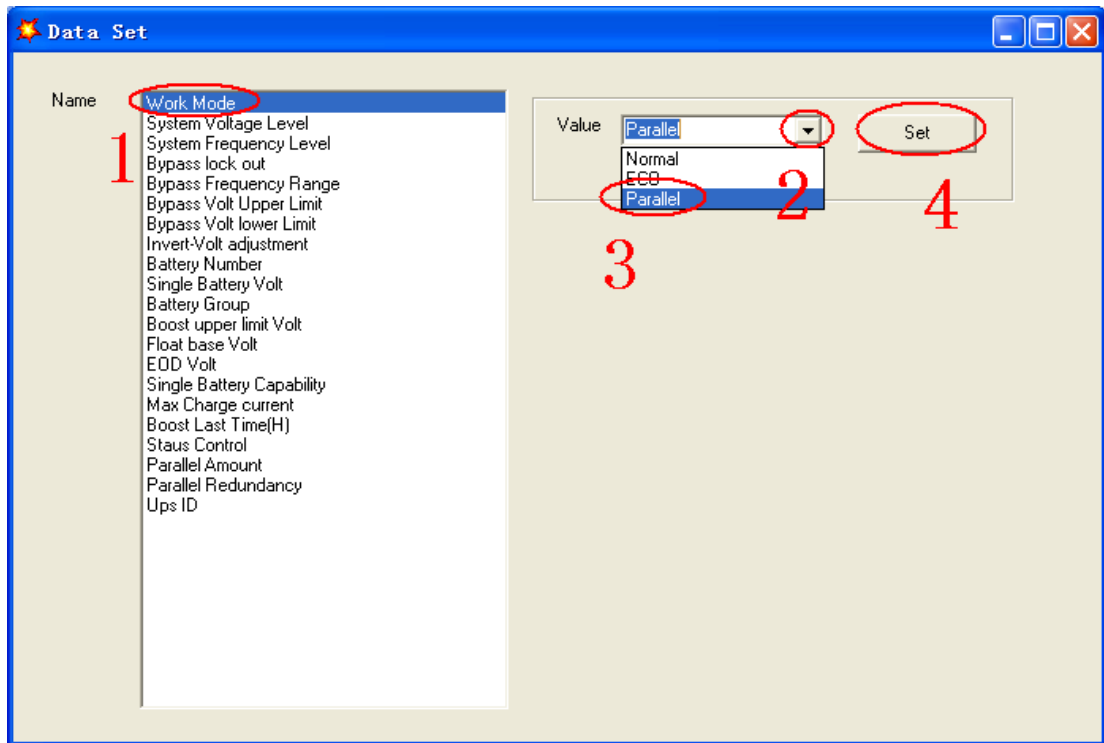
- ◆ Click “Set” at “User Set” window;



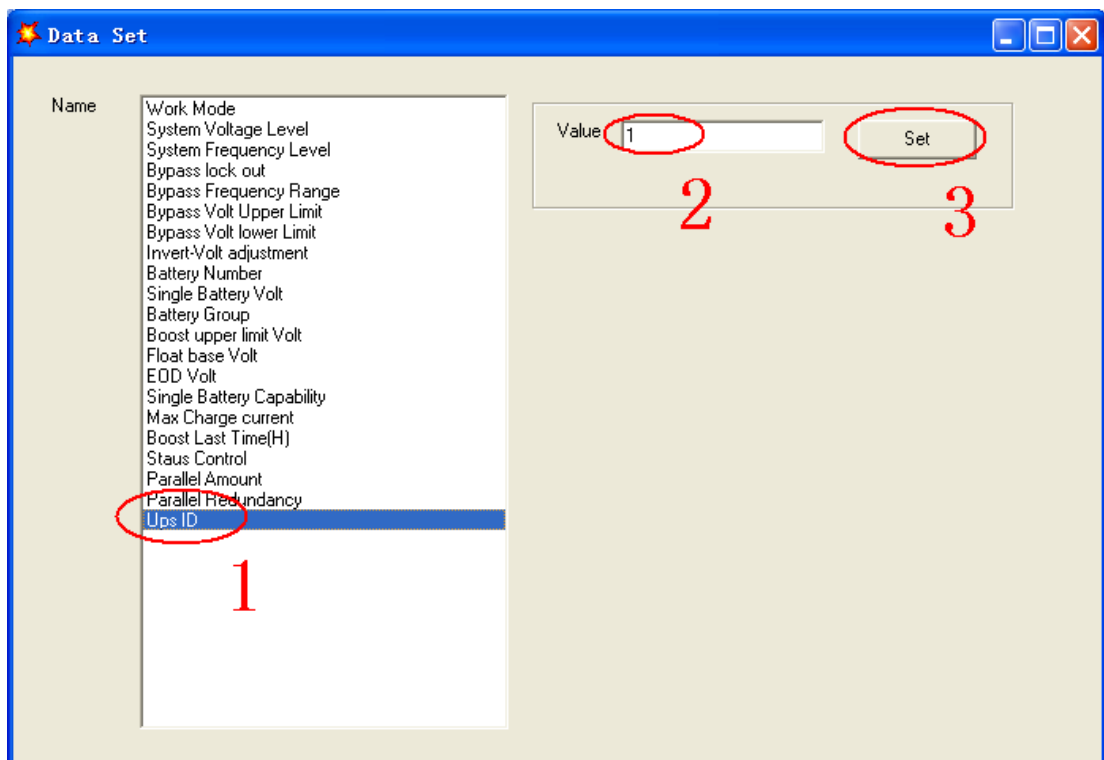
- ◆ At the window of “Data Set”, click “Work Mode”,, choose “Parallel” for the value, then click



“Set” as shown in below picture. If the UPS sounds a “beep”, that means the setting is correct.



◆At the window of “Data Set”, click “Ups ID”, write a value for the parallel UPS ID at the right side, such as “1”, then click “Set” as shown in below picture. If the UPS sounds a “beep”, that means the setting is correct.



### CAUTION!

After changing the parallel system ID, the connection between Muser4000 and equipment might be interrupted. If it occurs, please re-connect in accordance with the instruction described before.

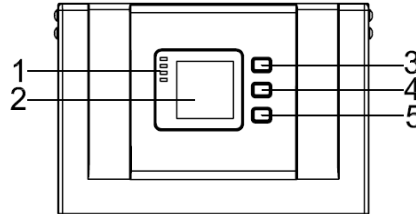


### CAUTION!

Parallel cable cannot be connected when setting the parallel parameters.

- ◆ After setting the UPS needed to be paralleled, power off all the UPS. Connect all the UPS according to “parallel cable installation”, and then power on the UPS.

## 4.3 The LCD Display



Overview of the operating panel of the UPS

(1)LED indicator (2)LCD display (3)Scroll button: enter to next item (4)Off button (5)On button

### Introduction



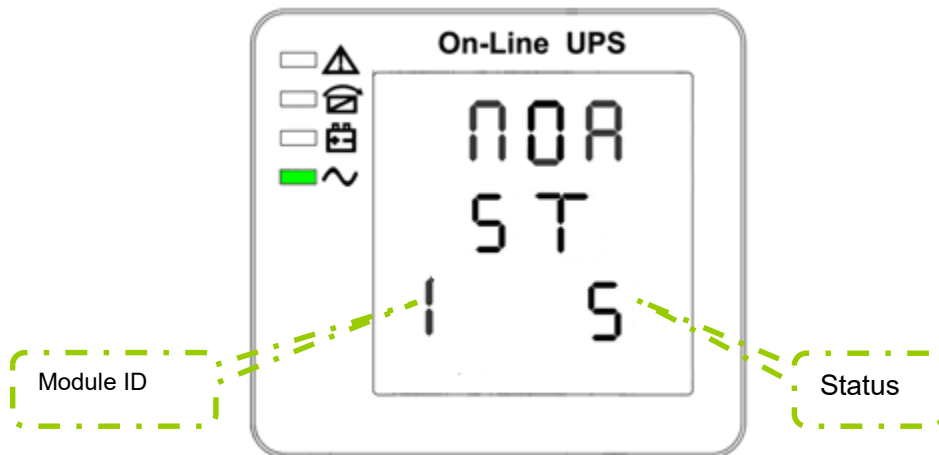
### CAUTION!

The display provides more functions than those described in this manual.

There are 12 interfaces available in the LCD display:

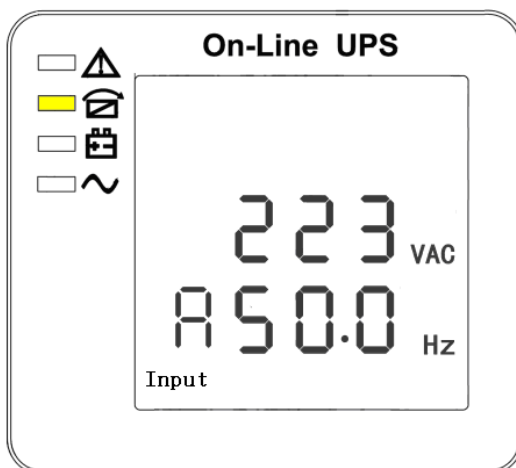
Item	Interface Description	Content Displayed
01	CODE	Operational status and mode
02	Input A(Input L1)	Voltage & Frequency
03	Input B(Input L2)	Voltage & Frequency
04	Input C(Input L3)	Voltage & Frequency
05	Bat. +	Voltage & Current
06	Bat. -	Voltage & Current
07	Backup time	Capacity & Time
08	Output	Voltage & Frequency
09	Load	Load
10	Temperature	battery temperature(need to connect batter sensor, Internal temperature and ambient temperature
11	Software version & model	Version of rectifier software, version of inverter software, model
12	CODE	Alarm Code(Warming Message)

- 1) When the UPS is connecting with the Utility or Battery at cold start mode, it shows as drawing below:

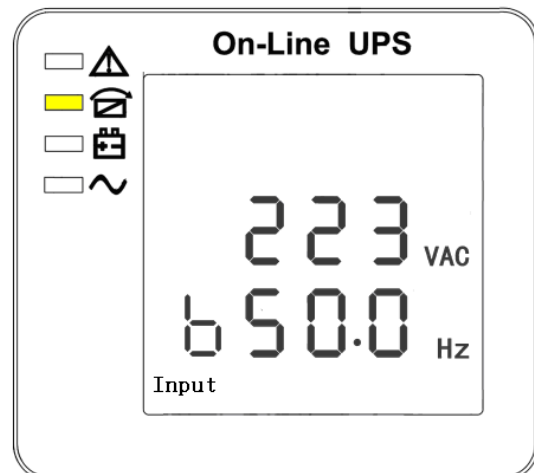


Operational Status and mode (When the UPS at single mode, it shows "NOR" or "ECO", but If the UPS at parallel mode, it shows "PAL" instead.)

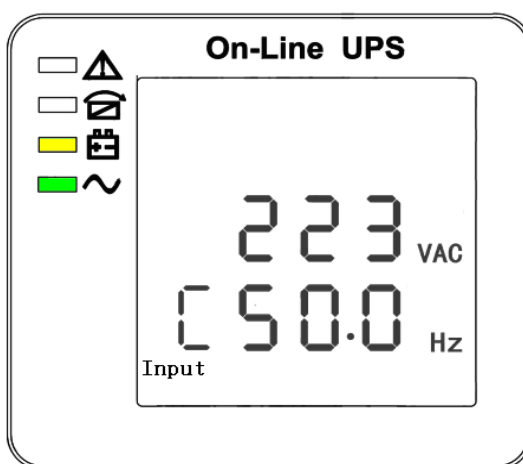
- 2) Press "scroll" button, the UPS goes to next page as shown below.



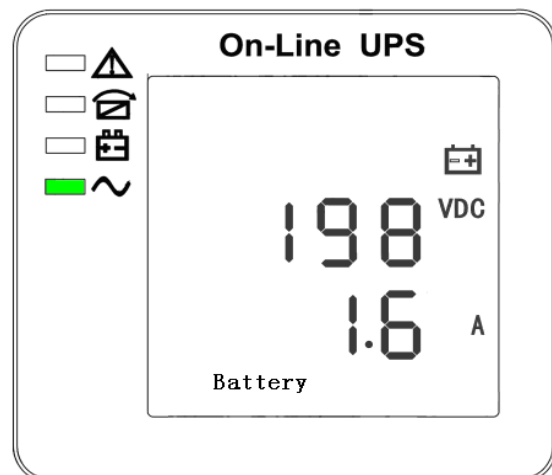
2. Phase A (L1) Input/Frequency



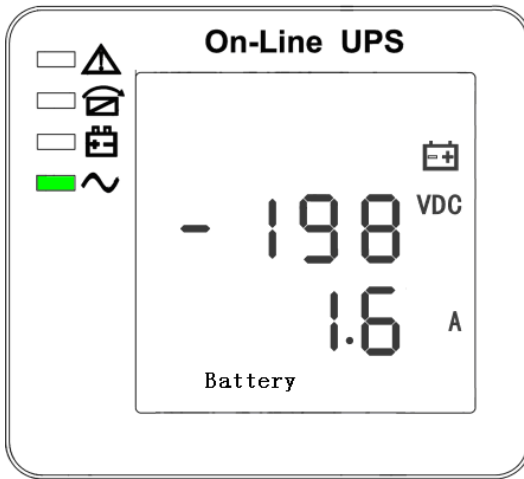
3. Phase B (L2) Input/Frequency



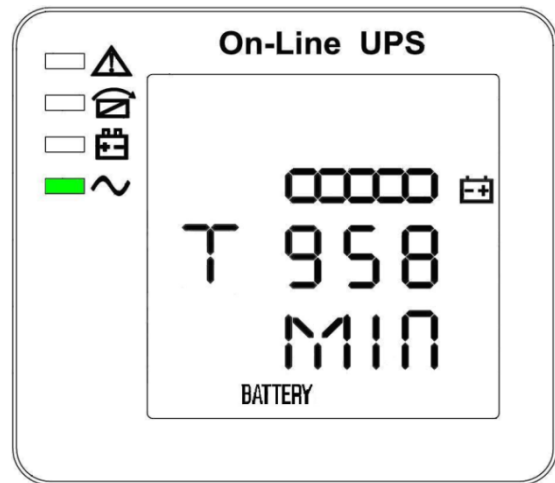
4. Phase C (L3) Input/Frequency



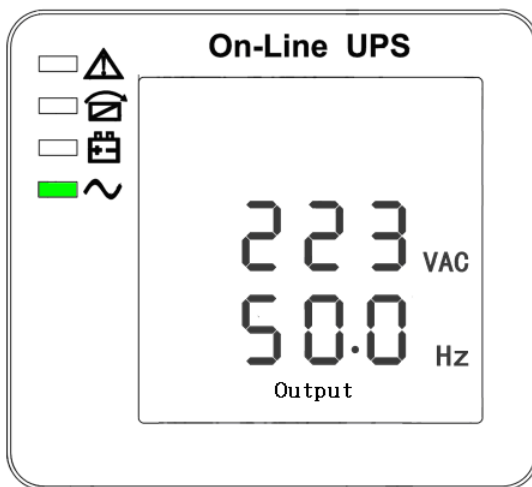
5. Bat + (Positive)



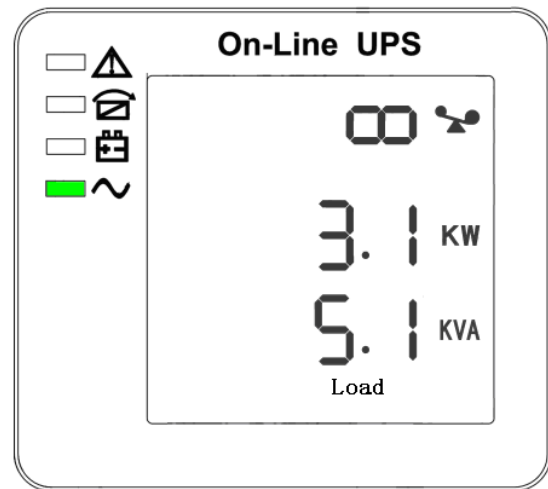
6. Bat - (Negative)



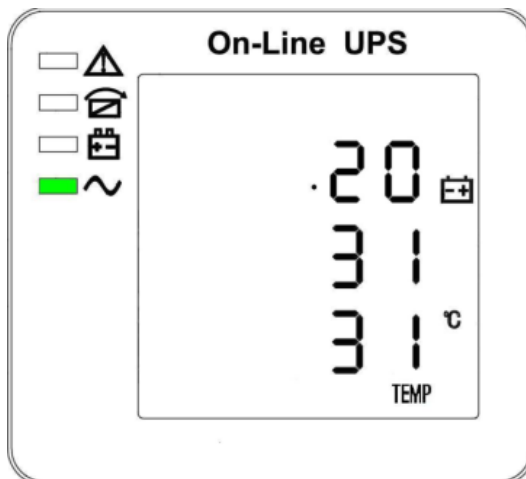
7. Backup time



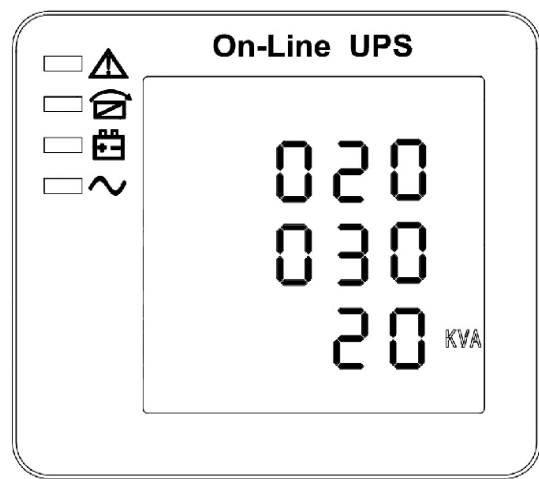
8. Output Voltage/Frequency



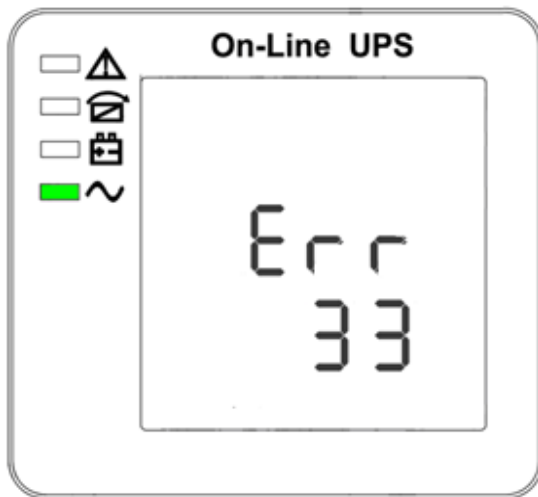
9. Load Capacity



10. Temperature (battery/Internal and ambient temperature)

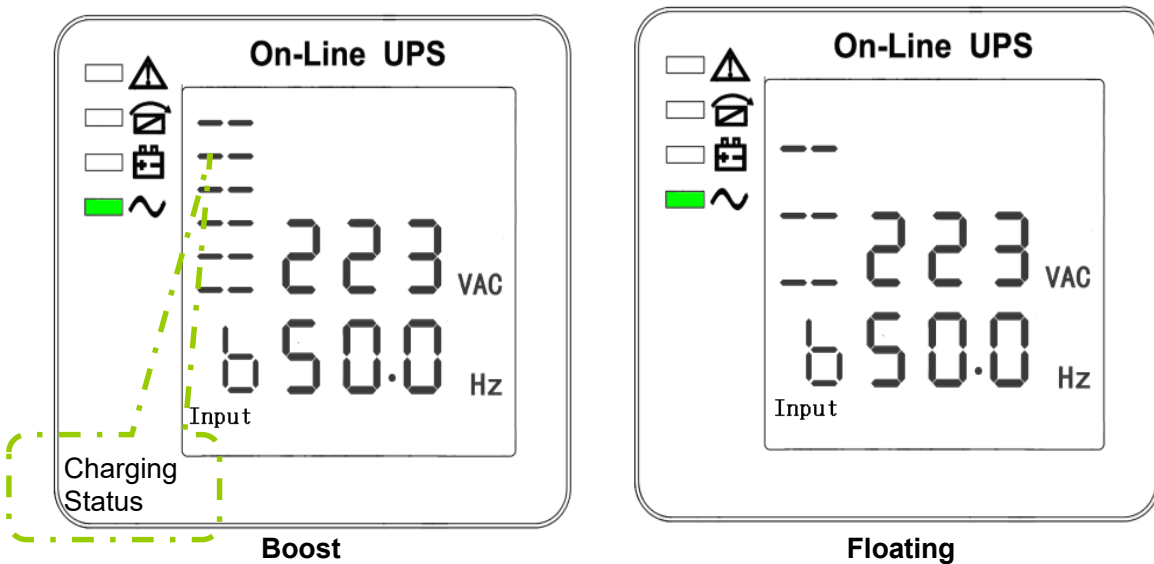


11. Software version & model



12. Alarm Code

If has battery charging, above 2-13 interface windows will also display the charging status at the same time as below:



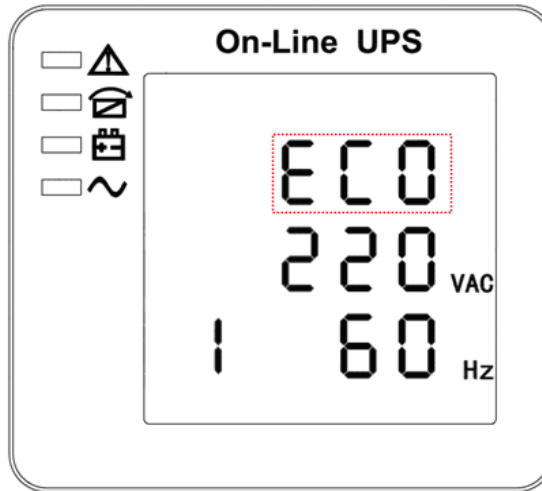
- 3) Pressing "scroll" button, you may circulate all messages from the first one to the last one then returns back to the first one and vice versa.
- 4) All alarm codes are present when abnormal behavior(s) occur(s).

#### 4.4 Parameters setting

The setting function is controlled by 3 buttons (⏪, OFF, ON) : ⏪---goes into the setting page and value adjustment; OFF---for exit setting; ⏩---for choosing different pages.

After the UPS turn ON, press buttons "⏪" & "OFF" for 2 seconds and then goes into the setting interface page.

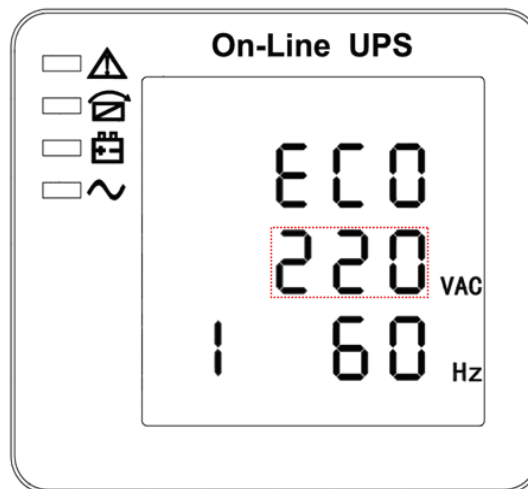
#### 4.4.1 Mode setting



Mode setting (Note: Inside the broken-line is the flashing part.)

After entering the setting menu, its mode setting defaulted, and the mode setting line flashing as in above picture. ①Use button “ $\cup$ ” to choose different mode. There are 3 different modes for setting: ECO, PAL, NOR. ②Press “ON” to exit the mode setting and save the mode setting value, and goes to output voltage setting. ③Press “OFF” to exit the mode setting, and goes to parallel redundancy quantity setting.

#### 4.4.2 Output voltage setting



Output voltage setting (Note: Inside the broken-line is the flashing part.)

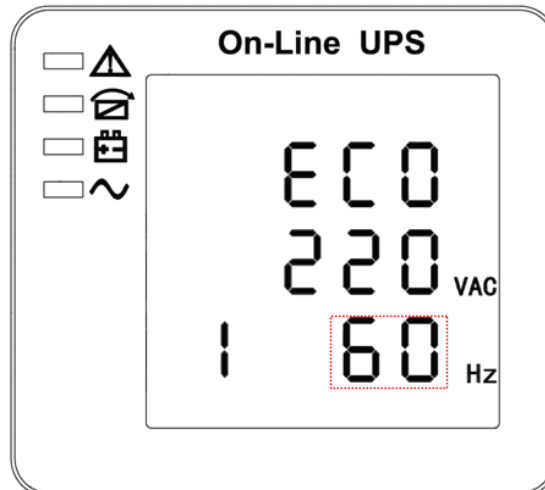
In the mode setting press “ON” or in frequency setting press “Off”, it goes to the output voltage setting. The output voltage line flashes as in above picture. ①Use button “ $\cup$ ” to choose the different output voltage. There are 3 different voltages---220, 230, 240. ②Press “ON” to exit the output voltage setting and save the output voltage setting value, and goes to frequency setting. ③Press “OFF” to exit the output voltage setting, and goes to mode setting.



#### CAUTION!

**When powered by inverter, it is necessary to turn off the inverter before setting voltage and frequency level.**

### 4.4.3 Frequency setting



Frequency setting (Note: Inside the broken-line is the flashing part.)

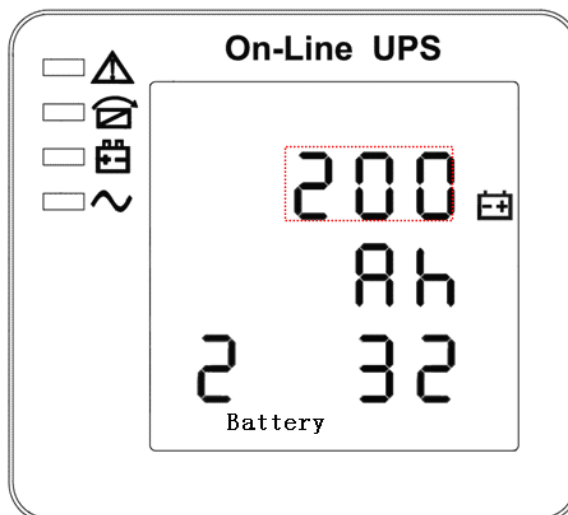
In the output voltage setting press "ON" or in battery capacity setting press "OFF", it goes to the frequency setting. The frequency line flashes as in above picture. ①Use button "⏏" to choose the different frequency. There are 2 different frequency---50,60Hz. ②Press "ON" to exit the frequency setting and save the frequency setting value and goes to battery capacity setting. ③Press "OFF" to exit the frequency setting, and goes to output voltage setting.



#### CAUTION!

**When powered by inverter, it is necessary to turn off the inverter before setting voltage and frequency level.**

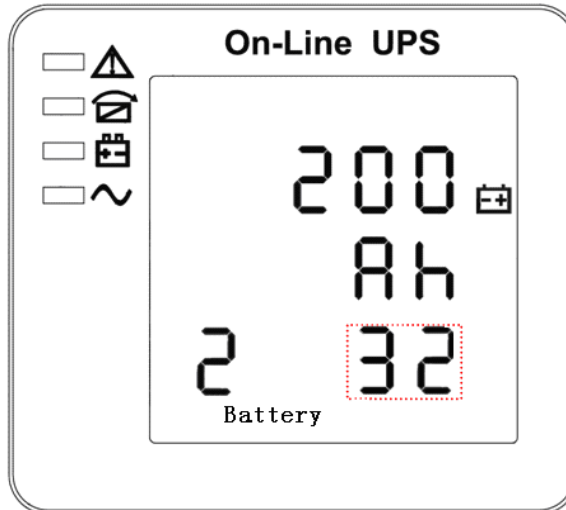
### 4.4.4 Battery capacity setting



Battery capacity setting (Note: Inside the broken-line is the flashing part.)

In the frequency setting press "ON" or in battery quantity setting press "OFF", it goes to the battery capacity setting. The battery capacity line flashes as in above picture. ①Use button "⏏" to choose the different battery capacity. Battery capacity range is 1-999Ah. (Note: long-press of "⏏" can adjustment battery capacity quickly.) ②Press "ON" to exit the battery capacity setting and save the capacity setting value and goes to battery quantity setting. ③Press "OFF" to exit the battery capacity setting and goes to frequency setting.

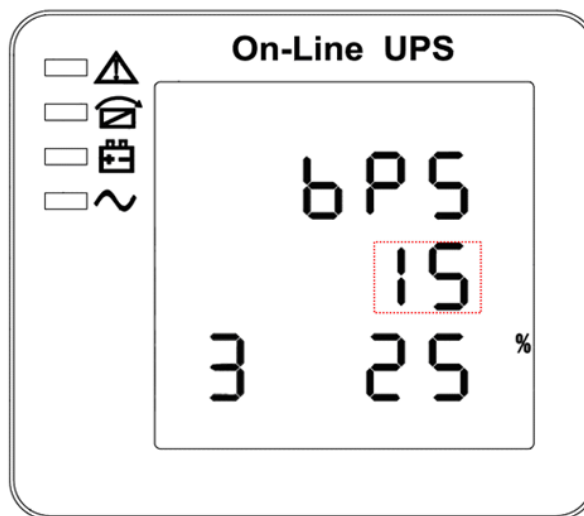
#### 4.4.5 Battery quantity setting



Battery quantity setting (Note: Inside the broken-line is the flashing part.)

In the battery capacity setting press "ON" or in bypass voltage upper limit setting press "OFF", it goes to the battery quantity setting. The battery quantity line flashes as in above picture. ①Use button "↶" to choose the different battery quantity. ②Press "ON" to exit the battery quantity setting and save the battery quantity setting value and goes to bypass voltage upper limit setting. ③Press "OFF" to exit the battery quantity setting and goes to battery capacity setting.

#### 4.4.6 Bypass voltage upper limit setting

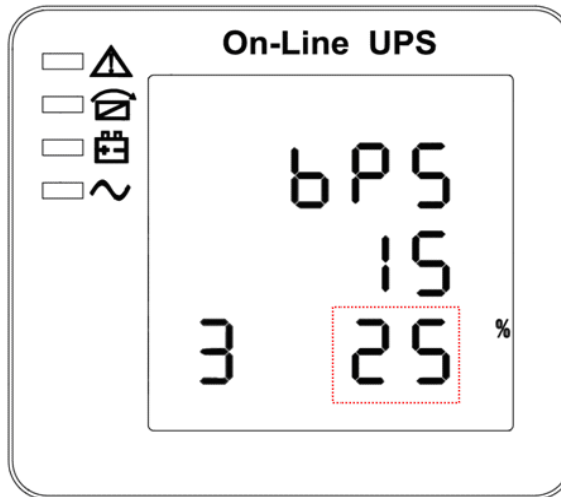


Bypass voltage upper limit setting (Note: Inside the broken-line is the flashing part.)

In the battery quantity setting press "ON" or in bypass voltage lower setting press "OFF", it goes to the bypass upper limit setting. The bypass upper limit line flashes as in above picture. ①Use button "↶" to set the different bypass voltage upper limit. The bypass voltage upper limit range is 10%, 15%, 20%, 25% (25% only for 220V output). ②Press "ON" to exit the bypass voltage upper limit setting and save the bypass voltage upper limit setting value and goes to bypass voltage lower limit setting. ③Press "OFF" to exit the bypass voltage upper limit setting and goes to battery quantity setting.



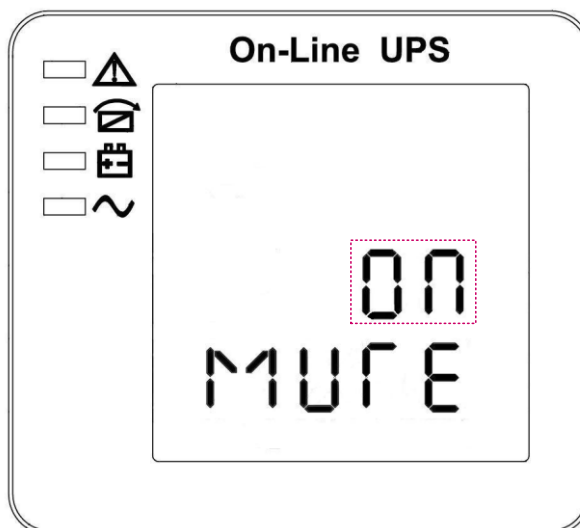
#### 4.4.7 Bypass voltage lower limit setting



Bypass voltage lower limit setting (Note: Inside the broken-line is the flashing part.)

In the bypass voltage upper limit setting press "ON" or in parallel ID setting press "OFF", it goes to the bypass lower limit setting. The bypass lower limit line flashes as in above picture. ("- for negative, positive does not have any symbol.) ①Use button "↶" to set the different bypass voltage lower limit. The bypass voltage lower limit range is 10%, 20%, 30%, 45%. ②Press "ON" to exit the bypass voltage lower limit setting and save the bypass voltage lower limit setting value and goes to buzzer mute setting. ③Press "OFF" to exit the bypass voltage lower limit setting and goes to bypass upper limit setting.

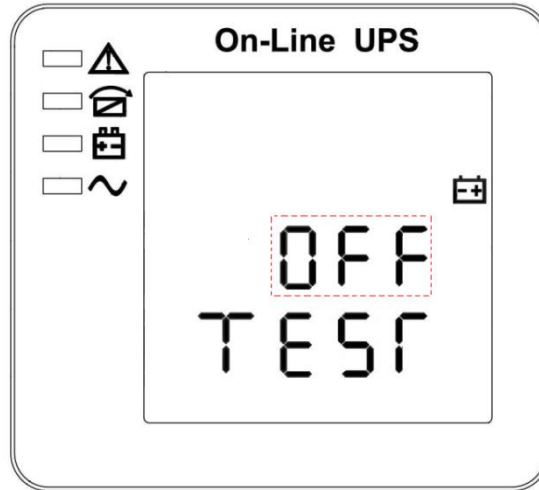
#### 4.4.8 Buzzer Mute Setting



Buzzer Settings (note: red dashed box is the scintillation part)

In the bypass voltage low limit setting press "ON" or in battery self-test setting press "OFF", it goes to buzzer setting. The scintillation of setting state shows as the figure (Note: ON shows MUTE, OFF shows NO MUTE).①Press button "↶" for Mute Cycle Settings, mute choice has On and Off. ②Press button "ON" exits mute setting and save mute setting state and change to battery self-test settings. ③Press button "OFF" exits mute setting and change to bypass voltage lower limit setting.

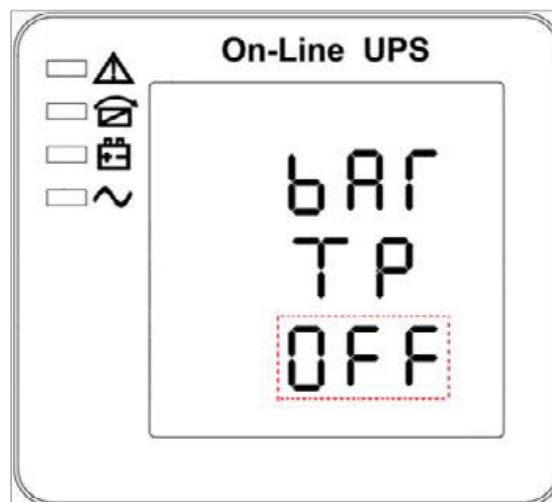
#### 4.4.9 Periodical battery self-test Setting



Periodical battery self-test setting (note: the part in dashed box flashes)

In the buzzer setting press “ON” or in parallel ID setting press “OFF”, it goes to the battery self-test setting. In the meantime the setting state flashes as above picture shows (Note: ON 1- the battery self-test function is enabled, UPS will do self-test 10 seconds every 30 days; ON 2- the battery self-test function is enabled, UPS will do self-test 10 minutes every 30 days; ON 3- the battery self-test function is enabled, UPS will do self-test till battery voltage reaches EOD point every 30 days; OFF- battery self-test function is disabled.). ①Press “ $\cup$ ” to set periodically self-test setting. The options are OFF, ON 1, ON 2 and ON 3. ②Press “ON” to exit Periodically Self-test setting and save the setting value, and goes to battery temperature compensation sensor switch setting. ③Press “OFF” to exit Periodically Self-test setting and goes to buzzer setting.

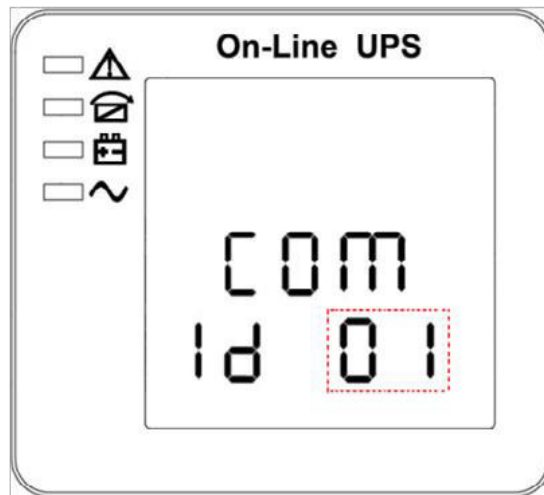
#### 4.4.10 Battery temperature compensation sensor switch setting



Battery temperature compensation sensor switch setting  
(Note: the information in the red box will be flashing)

Press “ON” under the periodical battery self-test setting or press “OFF” under device address setting, goes to the battery temperature compensation switch setting. The setting state flashes as above picture shows (Note: OFF means turn off the sensor switch, ON means turn on the sensor switch, send query command to sensor with address 11,12 every second. ①Press “ $\cup$ ” is to set the battery sensor, with options OFF & ON. ②Press “ON” to exit the battery sensor setting and save the battery sensor setting value and transfer to device address setting. ③Press “OFF” to exit the battery sensor setting and transfer to battery periodical battery self-test setting.

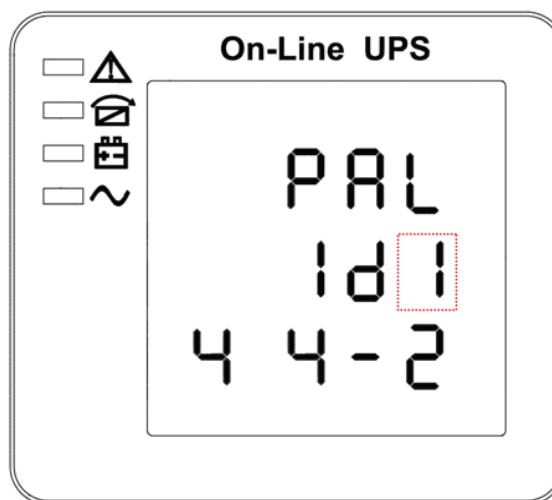
#### 4.4.11 Device address setting



Device address setting (Note: the information in the red box will be flashing)

Press “ON” under the battery temperature compensation sensor switch setting or press “OFF” under parallel ID setting, goes to the device address setting. The setting state flashes as above picture shows (Note: device address is 1~15, it is the MODBUS device address at RS232 & RS485 communication ports. ① Press “↶” to set the address, with options 1~15. When battery temperature sensor is open, can choose 1~10 & 13~15; If it’s parallel mode and device address  $\leq$  parallel quantity, device address = parallel ID. ② Press “ON” to exit the device address setting and save the device address setting value and parallel ID setting. (Note: Under single UPS mode, until this device address setting save and exit, single UPS setting is done.) ③ Press “OFF” to exit the device address setting and transfer to battery temperature compensation sensor setting.

#### 4.4.12 Parallel ID setting



Parallel ID setting (Note: Inside the broken-line is the flashing part.)

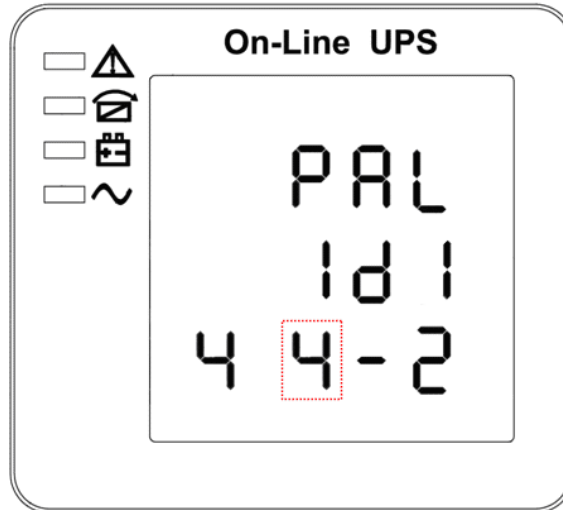
When in device address setting press “ON” or when under parallel quantity setting press “OFF”, it goes to the parallel ID setting. The parallel ID flashes as in above picture. ① Use button “↶” to set the different parallel ID. The parallel ID range is 1~4. ② Press “ON” to exit the parallel ID setting and save the parallel ID setting value and goes to parallel quantity setting. ③ Press “OFF” to exit the parallel ID setting and goes to device address setting.



#### CAUTION!

Parallel cable cannot be connected when setting the parallel parameters.

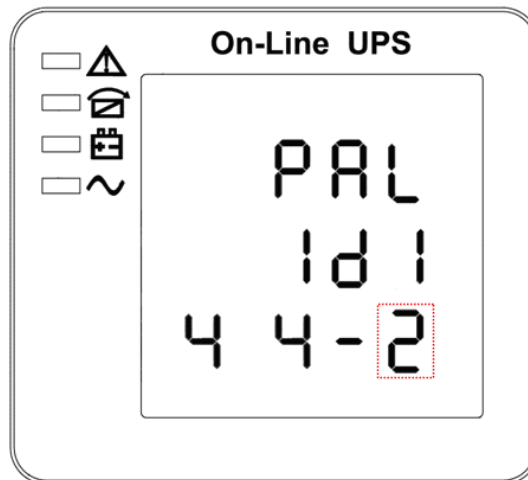
#### 4.4.13 Parallel quantity setting



Parallel quantity setting (Note: Inside the broken-line is the flashing part.)

When under the parallel ID setting press “ON” or when under parallel redundancy quantity setting press “OFF”, it goes to the parallel quantity setting. The parallel quantity flashes as in above picture. ①Use button “ $\cup$ ” to set the parallel quantity. The parallel quantity range is 2~4. ②Press “ON” to exit the parallel quantity setting and save the parallel quantity setting value and goes to parallel redundancy quantity setting. ③Press “OFF” to exit the parallel quantity setting and goes to parallel ID setting.

#### 4.4.14 Parallel redundancy quantity setting



Parallel redundancy quantity setting (Note: Inside the broken-line is the flashing part.)

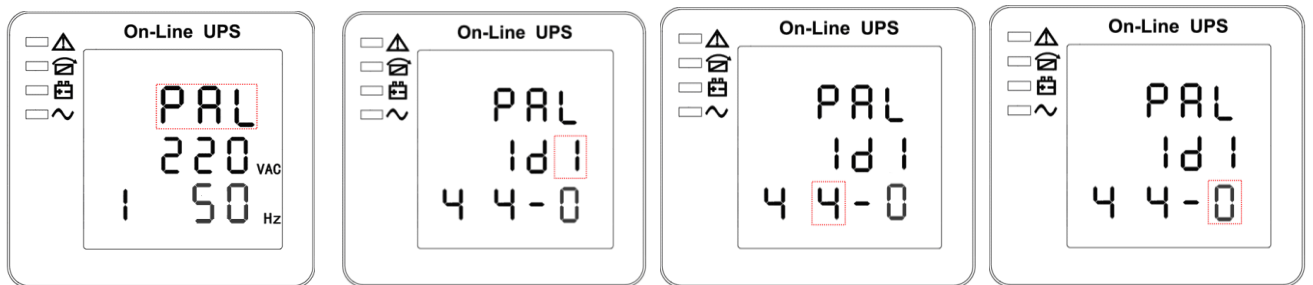
When under the parallel quantity setting press “ON”, it goes to the parallel redundancy quantity setting. The parallel redundancy quantity flashes as in above picture. ①Use button “ $\cup$ ” to set the parallel redundancy quantity. The parallel redundancy quantity range is 0~3. ②press “ON” to exit the mode setting and save the mode setting value and then UPS LCD panel setting is accomplished. ③ Press “OFF” to go to parallel quantity setting.

## 4.5 Parallel system commissioning

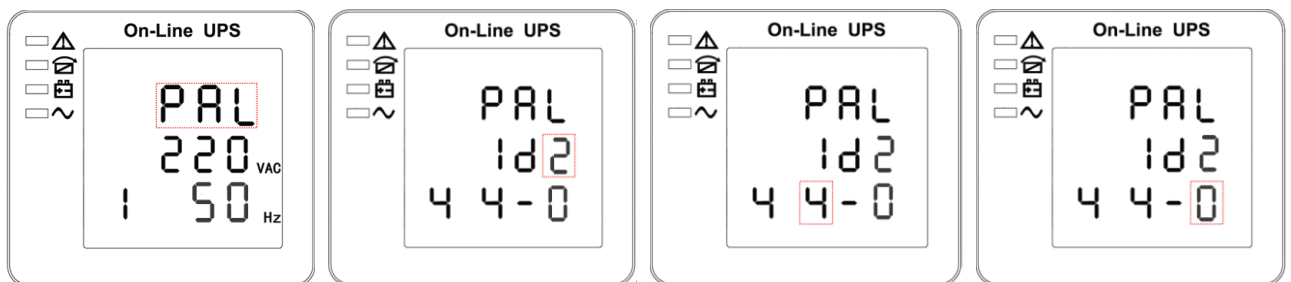
Parallel system should be commissioning when the stand-alone are all intact.

Take 4 units in parallel for example.

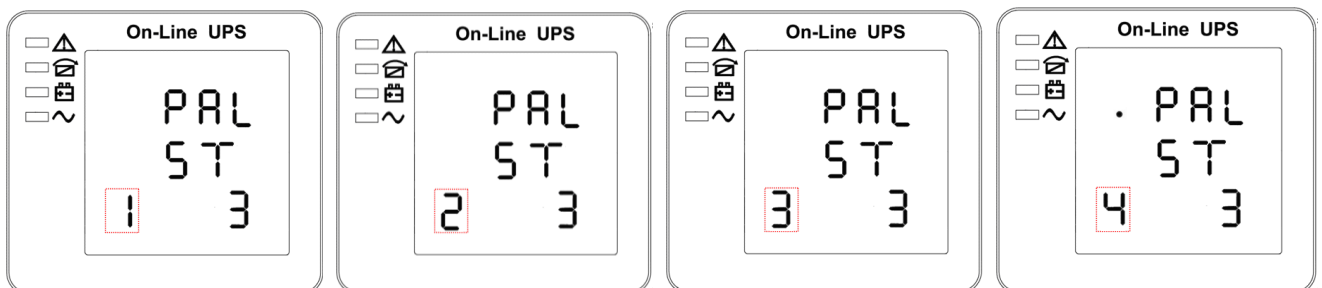
- 1) Confirm the input/output wires connection and input phase sequence are correct; switch off the battery breaker, and measure the +/- bat voltage of all battery group are normal.
- 2) Connect the parallel cable, it should be formed loop connection.
- 3) Switch on the input breaker of unit 1, and access LCD setting interface to setting the working mode、ID、parallel number、redundant number. The setting interface is showed as below, require setting the in series number、capacity of battery. The output voltage level and Bypass protection range are default setting.



- 4) Turn off the input breaker of Unit 1, and make sure the UPS is off. Turn on the input breaker of Unit 2, access the LCD setting interface, setting the parallel working mode, ID (NO.2), parallel 4 units, redundant number. The other setting are the same as UPS 1 operation.



- 5) For Unit 3 and Unit 4 UPS, the operation setting are all the same as Unit 1 and 2.
- 6) Turn on Bypass/input/output breaker of all the paralleled UPS, then confirm all the setting are correct. Each UPS has their owed different ID.
- 7) There are only one master in parallel system. The one has a dot behind parallel mode is the master. You can turn on all the UPS after confirm all the setting are correct.



- 8) Turn on all the battery breaker and confirm the parameter (V/I) are normal.
- 9) Connected the Load, and check whether the output current are balance.

Switch on and off the utility breaker to test all the UPS converters system from Utility to battery and restored function are working find

## 4.6 Display Messages/Troubleshooting

This section lists the event and alarm messages that the UPS might display. The messages are listed in alphabetical order. This section is listed with each alarm message to help you troubleshoot problems.

### Display messages

#### Operational Status and Mode(s)

Code (ST)	Information stand for	LED			
		Fault	Bypass	Battery	Inverter
1	Initialized	<b>EXTINGUISH</b>	<b>EXTINGUISH</b>	<b>EXTINGUISH</b>	<b>EXTINGUISH</b>
2	Standby Mode	<b>EXTINGUISH</b>	<b>EXTINGUISH</b>	X	<b>EXTINGUISH</b>
3	No Output	<b>EXTINGUISH</b>	<b>EXTINGUISH</b>	X	<b>EXTINGUISH</b>
4	Bypass Mode	<b>EXTINGUISH</b>	<b>LIGHT</b>	X	<b>EXTINGUISH</b>
5	Utility Mode	<b>EXTINGUISH</b>	<b>EXTINGUISH</b>	X	<b>LIGHT</b>
6	Battery Mode	<b>EXTINGUISH</b>	<b>EXTINGUISH</b>	<b>LIGHT</b>	<b>EXTINGUISH</b>
7	Battery Self-diagnostics	<b>EXTINGUISH</b>	<b>EXTINGUISH</b>	<b>LIGHT</b>	<b>EXTINGUISH</b>
8	Inverter is starting up	<b>EXTINGUISH</b>	X	X	<b>EXTINGUISH</b>
9	ECO Mode	<b>EXTINGUISH</b>	X	X	X
10	EPO Mode	<b>LIGHT</b>	<b>EXTINGUISH</b>	X	<b>EXTINGUISH</b>
11	Maintenance Bypass Mode	<b>EXTINGUISH</b>	<b>EXTINGUISH</b>	<b>EXTINGUISH</b>	<b>EXTINGUISH</b>
12	Fault Mode	<b>LIGHT</b>	X	X	X

**CAUTION:** "X" means it is determined by other conditions

### Alarm Information

Fault code (Err)	UPS Alarm Warning	Buzzer	LED
1	Rectifier Fault	Beep continuously	Fault LED lit
2	Inverter fault(Including Inverter bridge is shorted)	Beep continuously	Fault LED lit
3	Inverter Thyristor short	Beep continuously	Fault LED lit
4	Inverter Thyristor broken	Beep continuously	Fault LED lit
5	Bypass Thyristor short	Beep continuously	Fault LED lit
6	Bypass Thyristor broken	Beep continuously	Fault LED lit
7	Fuse broken	Beep continuously	Fault LED lit
8	Parallel relay fault	Beep continuously	Fault LED lit
9	Fan fault	Beep continuously	Fault LED lit
10	Reserve	Beep continuously	Fault LED lit
11	Auxiliary power fault	Beep continuously	Fault LED lit
12	Initializtion fault	Beep continuously	Fault LED lit
13	P-Battery Charger fault	Beep continuously	Fault LED lit
14	N-Battery Charger fault	Beep continuously	Fault LED lit

15	DC Bus over voltage	Beep continuously	Fault LED lit
16	DC Bus below voltage	Beep continuously	Fault LED lit
17	DC bus unbalance	Beep continuously	Fault LED lit
18	Soft start failed	Beep continuously	Fault LED lit
19	Rectifier Over Temperature	Twice per second	Fault LED lit
20	Inverter Over temperature	Twice per second	Fault LED lit
21	Input neutral loss	Twice per second	Fault LED lit
22	Battery reverse	Twice per second	Fault LED lit
23	Cable connection error	Twice per second	Fault LED lit
24	CAN comm. Fault	Twice per second	Fault LED lit
25	Parallel load sharing fault	Twice per second	Fault LED lit
26	Battery over voltage	Once per second	Fault LED blinking
27	Reserve	Once per second	Fault LED blinking
28	Reserve	Once per second	Fault LED blinking
29	Output Short-circuit	Once per second	Fault LED blinking
30	Rectifier over current	Once per second	Fault LED blinking
31	Bypass over current	Once per second	BPS LED blinking
32	Overload	Once per second	INV or BPS LED blinking
33	No battery	Once per second	Battery LED blinking
34	Battery under voltage	Once per second	Battery LED blinking
35	Battery low pre-warning	Once per second	Battery LED blinking
36	Internal Communication Error	Once per 2 seconds	Fault LED blinking
37	DC component over limit.	Once per 2 seconds	INV LED blinking
38	Parallel Overload	Once per 2 seconds	INV LED blinking
39	Mains volt. Abnormal	Once per 2 seconds	Battery LED lit
40	Mains freq. abnormal	Once per 2 seconds	Battery LED lit
41	Bypass Not Available		BPS LED blinking
42	Bypass unable to trace		BPS LED blinking
43	Inverter on invalid		
44	Reserve		
45	inverter not on		

## 4.7 Options

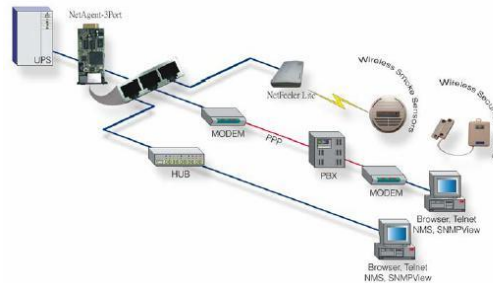
**SNMP card:** internal SNMP / external SNMP optional

- ◆ Loosen the 2 torque screws (on each side of the card).
- ◆ Carefully pull out the card. Reverse the procedure for re-installation

The slot called SNMP supports the MEGAtec protocol. We advise that NetAgent II-3 port is also a tool to remotely monitor and manage any UPS system

NetAgent II-3Ports supports the Modem Dial-in (PPP) function to enable the remote control via the internet when the network is unavailable.

In addition to the features of a standard NetAgent Mini, NetAgent II has the option to add NetFeeler Lite to detect temperature, humidity, smoke and security sensors. Thus, making NetAgent II a versatile management tool. NetAgent II also supports multiple languages and is setup for web-based auto language detection.



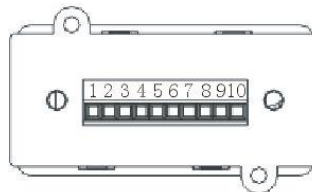
Typical topology of the UPS Network Management

### Relay card

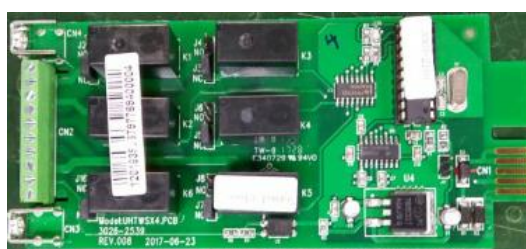
A 10-pin terminal is supported to offer the signals of Bypass, Utility Failure, Inverter On, Battery Low, UPS fault, UPS Alarm, and UPS Shutdown.

The relay communication card contains six dry contact outputs and one dry input. The inputs and outputs are factory programmed according to functions listed in the table

Table: Relay Contacts (communication card)



Pin	Function Description	Input or Output
1	Utility Failure	Output
2	Battery Low	
3		
4	Bypass On	
5	UPS Fault	
6	Inverter On	
7	Summary Alarm	
8	common	
9	Remote Shutdown +	Input (5~12V)





## Appendix 1 Specifications

Model		10KVA(S/H)	15KVA(S/H)	20KVA(S/H)	
Capacity (VA/Watts)		10kVA/9kW 10kVA/10kW	15kVA/13.5kW 15kVA/15kW	20kVA/18kW 20kVA/20kW	
Input	Phase	380/400/415Vac,(3Ph+N+PE) 220/230/240Vac,(L+N+PE)			
	Rated Voltage	380/400/415Vac 220/230/240Vac			
	Voltage Range	208~478Vac 120~276Vac			
	Frequency Range	40-70Hz			
	Power Factor	≥0.99			
	Current THDi	≤3%(100% non linear load)			
	Bypass Voltage Range	Max. voltage: 220Vac: +25%(optional +10%,+15%,+20% ) 230Vac: +20%(optional +10%,+15% ) 240Vac: +15%(optional +10% ) Min. voltage: -45% (optional -10%, -20%, -30%) Frequency protection range: ±10%			
	Generator Input	Support			
Output	Phase	220/230/240Vac,(L+N+PE)			
	Rated Voltage	220/230/240Vac			
	Power Factor	0.9/1.0			
	Voltage Regulation	±1%			
	Frequency	Utility Mode	±1%, ±2%, ±4%, ±5%, ±10% of the rated frequency(optional)		
		Battery Mode	(50/60±0.1%)Hz		
	Crest Factor	3:1			
	THD	≤2% with linear load ≤5% with non linear load			
Efficiency		Up to 94.5%			
Battery	Voltage	Standard unit	±120Vdc(20pcs9AH) (20pcs7AH;2x20pcs 7/9AH optional); ±96Vdc (16pcs 9AH)	±120Vdc(2x20pcs 9AH) (2x20pcs 7AH optional)	
		Long run unit	±96/108/120Vdc (16~20 pcs, 16 pcs define, Standard unit and 20 pcs no power derating; 18 pcs output power factor 0.9; 16 pcs output power factor 0.8;) Optional: ±192/204/216/228/240Vdc(32/34/36/38/40pcs optional)		
	Charge Current(A)	Standard unit	1.35A	2.7A	
		Long run unit	14A max.	16A max.	18A max.
			charge current can be set according to battery capacity installed		
Transfer Time		Utility to Battery : 0ms; Utility to bypass: 0ms			
Protection	Overload	AC Mode	Load≤110%: last 60min change to bypass, ≤125%: last 10min, change to bypass, ≤150%: last 1min change to bypass, >150% change to bypass immediately		
		Bat. Mode	Load≤110%: last 10min, ≤125%: last 1min, ≤150%: last 5S, >150% shut down UPS immediately		
		Bypass Mode	Breaker 64A	Breaker 100A	Breaker 126A
	Short Circuit	150A peak	270A peak	300A peak	

	Overheat	Line Mode: Switch to Bypass; Backup Mode: Shut down UPS immediately		
	Battery Low	Alarm and Switch off		
	Self-diagnostics	Upon Power On and Software Control		
	EPO(optional)	Shut down UPS immediately		
	Battery	Advanced Battery Management		
	Noise Suppression	Complies with EN62040-2		
<b>Alarms</b>	Audible & Visual	Line Failure, Battery Low, Overload, System Fault		
<b>Display</b>	Status LED & LCD	Line Mode, Bypass Mode, Battery Low, Battery Bad, Overload & UPS Fault		
	Reading On the LCD	Input Voltage, Input Frequency, Output Voltage, Output Frequency, Load Percentage, Battery Voltage & Inner Temperature		
<b>Communication Interface</b>		USB, RS232, RS485, Parallel (optional), Coupler dry contact, Intelligent slot, SNMP card (optional), Relay card (optional)		
<b>Environment</b>	Operating Temperature	0°C~40°C		
	Storage Temperature	-25°C~55°C		
	Humidity	0~95% non condensing		
	Altitude	< 1500m.When>1500m,lower the rated power for use		
<b>Dimensions (W×D×H)mm</b>	Standard unit	250×900×868(20/2x20pcs) 250×645×715(16pcs)	250×900×868	
	Long run unit	250×580×655		
<b>Weight (Kg)</b>	Standard unit	125(20pcs 9AH) 78 (16pcs 9AH)	180	181
	Long run unit	33	37	38
<b>Safety Conformance</b>		CE,EN/IEC 62040-2,EN/IEC 62040-1-1		

## Appendix 2 Problems and Solution

In case the UPS cannot work normally, it might be wrong in installation, wiring or operation. Please check these aspects first. If all these aspects are checked without any problem, please consult with local agent right away and provide below information.

( 1 ) Product model name and serial number.

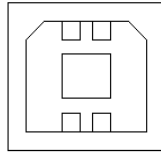
( 2 ) Try to describe the fault with more details, such as LCD display info, LED lights status, etc.

Read the user manual carefully, it can help a lot for using this UPS in the right way. Some FAQ (frequently asked questions) may help you to troubleshoot your problem easily.

No.	Problem	Possible reason	Solution
1	Utility is connected but the UPS cannot be powered ON.	Input power supply is not connected; Input voltage low; The input switch of the UPS is not switched on.	Measure if the UPS input voltage/frequency is within the window. Check if UPS input is switched on
2	Utility normal but Utility LED does not light on, and the UPS operates at battery mode	The input breakers of the UPS are not switched on; input cable is not well connected	Switch on the input breaker; Make sure the input cable is well connected.
3	The UPS does not indicate any failure, but output do not have voltage	Output cable does not well connected; Output breaker do not switch on	Make sure the output cable is well connected; Switch on the output breaker.
4	Utility LED is flashing	Utility voltage exceeds UPS input range.	If the UPS operates at battery mode, please pay attention to the remaining backup time needed for your system.
5	Battery LED is flashing but no charge voltage and current	Battery breaker does not switch on, or batteries are damaged, or battery is reversely connected. Battery number and capacity are not set correctly.	Switch on the battery breaker. If batteries are damaged, need to replace whole group batteries, Connect the battery cables correctly; Go to LCD setting of the battery number and capacity, set the correct data.
6	Buzzer beeps every 0.5 seconds and LCD display "output overload"	Overload	Remove some load
7	Buzzer long beeps, LCD display "29"fault code	The UPS output is in short circuit	Make sure the load is not in short circuit, and then restart the UPS.
8	The UPS only works on bypass mode	The UPS is set to ECO mode, or the transfer times to bypass mode are limited.	Set the UPS working mode to UPS type(non-parallel) or to reset the times of transferring to bypass or restart the UPS
9	Cannot Black start	Battery switch is not properly closed: Battery fuse is not open: Or Battery low: Battery quantity set wrong; Power breaker in the rear panel not switch ON.	Close the battery switch: Change the fuse: Recharge the battery: Power ON the UPS with AC to set the battery quantity & quantity; Switch on the power breaker.
10	Buzzer beeps continuously and LCD indicates 1,3,5,9,15, etc fault codes	UPS is out of order	Consult with your local agent for repair

## Appendix 3 USB communication port definition

Definition of port:



Connection between PC USB port and UPS USB port.

PC USB port	UPS USB port	Description
Pin 1	Pin 1	PC : +5V
Pin 2	Pin 2	PC : DPLUS signal
Pin 3	Pin 3	PC : DMINUS signal
Pin 4	Pin 4	Signal ground

Available function of USB

- ◆ Monitor UPS power status.
- ◆ Monitor UPS alarm info.
- ◆ Monitor UPS running parameters.
- ◆ Timing off/on setting.

Communication data format

Baud rate ----- 9600bps  
Byte length ----- 8bit  
End bit ----- 1bit  
Parity check -----none

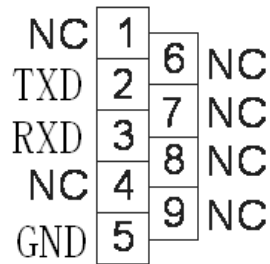


### CAUTION!

**USB, RS232 and RS485 interface cannot be used at the same time, you can only use one of them at one time.**

## Appendix 4 RS232 communication port definition

Definition of Male port:



Connection between PC RS232 port and UPS RS232 port

PC RS232 port	UPS RS232 port	
Pin 2	Pin 2	UPS send, PC receive
Pin 3	Pin 3	PC send, UPS receive
Pin 5	Pin 5	ground

Available function of RS232

- ◆ Monitor UPS power status.
- ◆ Monitor UPS alarm info.
- ◆ Monitor UPS running parameters.
- ◆ Timing off/on setting.

RS-232 communication data format

Baud rate ----- 9600bps

Byte length ----- 8bit

End bit ----- 1bit

Parity check -----none

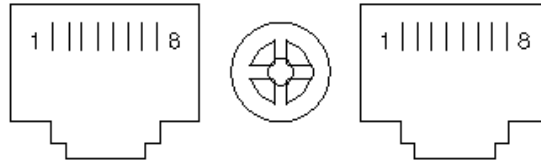


### CAUTION!

**USB, RS232 and RS485 interface cannot be used at the same time, you can only use one of them at one time.**

## Appendix 5 RS485 communication port definition

Definition of port:



Connection between the Device's RS485 port and UPS RS485 port.

device(RJ45)	UPS(RJ45)	Description
Pin 1/5	Pin 1/5	485+ "A"
Pin 2/4	Pin 2/4	485 - "B"
Pin7	Pin7	+12Vdc
Pin8	Pin8	GND

Available function of RS485

- ◆ Monitor UPS power status.
- ◆ Monitor UPS alarm info.
- ◆ Monitor UPS running parameters.
- ◆ Timing off/on setting.
- ◆ Battery environment temperature monitoring.
- ◆ Charging voltage modulation depending on batteries temperature

Communication data format

Baud rate ----- 9600bps

Byte length ----- 8bit

End bit ----- 1bit

Parity check -----none



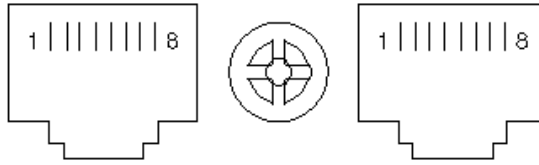
### CAUTION!

**USB, RS232 and RS485 interface cannot be used at the same time, you can only use one of them at one time.**

**RS485 port pin7 is 12Vdc!**

## Appendix 6 BAT\_T communication port definition

Definition of port:



Connection between the Temperature sensor RJ45 port and UPS RJ45 port.

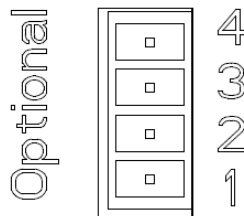
device(RJ45)	UPS(RJ45)	Description
Pin 1/5	Pin 1/5	485+ "A"
Pin 2/4	Pin 2/4	485 - "B"
Pin7	Pin7	+12Vdc
Pin8	Pin8	GND

Available function of BAT\_T

- ◆ Battery environment temperature monitoring.
- ◆ Charging voltage modulation depending on batteries' temperature.

## Appendix 7 Optional port definition

Definition of Male port:



Instruction:

Relay Dry Contact Port 5A/277Vac

UPS	Instruction
Pin1	Normally NC
Pin2	Normally NO
Pin3	/
Pin4	Common

Function 1 description (default, internal J6 jumper):

- ◆ Drive the bypass breaker when backfeed alarm.

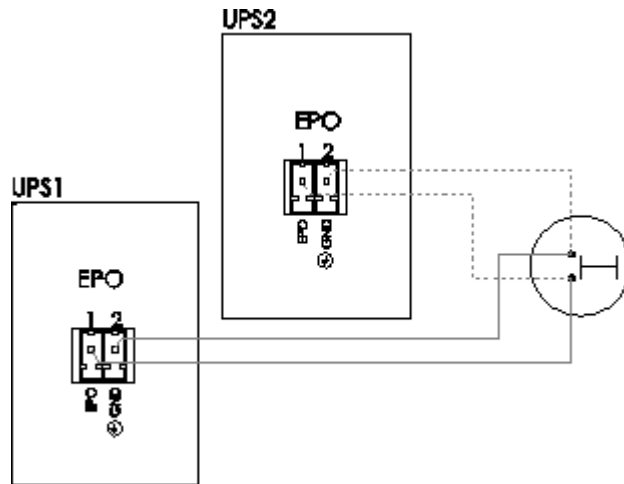
Function 2 description (Optional, internal J5 jumper):

- ◆ Drive the battery breaker when battery voltage low.

## Appendix 8 REPO instruction

Definition of port:

Connection diagram:



Connection between the button and UPS REPO port.

Button	UPS REPO	Description
Pin 1	Pin 1	EPO
Pin 2	Pin 2	GND

- ◆ A remote emergency stop switch (Dry contact signal and “normally open” - not provided) can be installed in a remote location and connection through simple wires to the REPO connector.
- ◆ The remote switch can be connected to several UPS in a parallel architecture allowing the user to stop all units at once.